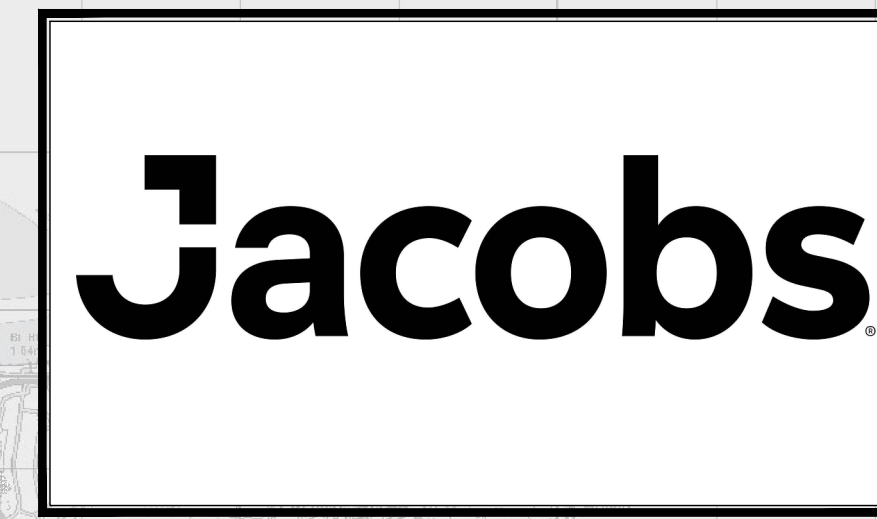




Appendix B10
Junction Systems Design



BUSCONNECTS DUBLIN CORE BUS CORRIDORS INFRASTRUCTURE WORKS

LIFFEY VALLEY TO CITY CENTRE CORE BUS CORRIDOR SCHEME

JUNCTION SYSTEMS DESIGN

DRAWING SERIES NUMBER(S)

BCIDB-JAC-TSM_IX-0007_XX_00-DR-TR-0001
 BCIDB-JAC-TSM_KP-0007_XX_00-DR-TR-0001
 BCIDB-JAC-TSM_SJ-0007_XX_00-DR-TR-0001
 BCIDB-JAC-TSM_SJ-0007_XX_00-DR-TR-0002
 BCIDB-JAC-TSM_SJ-0007_XX_00-DR-TR-0003
 BCIDB-JAC-TSM_SJ-0007_XX_00-DR-TR-0004
 BCIDB-JAC-TSM_SJ-0007_XX_00-DR-TR-0005
 BCIDB-JAC-TSM_SJ-0007_XX_00-DR-TR-0006
 BCIDB-JAC-TSM_SJ-0007_XX_00-DR-TR-0007
 BCIDB-JAC-TSM_SJ-0007_XX_00-DR-TR-0008
 BCIDB-JAC-TSM_SJ-0007_XX_00-DR-TR-0009
 BCIDB-JAC-TSM_SJ-0007_XX_00-DR-TR-0010
 BCIDB-JAC-TSM_SJ-0007_XX_00-DR-TR-0011
 BCIDB-JAC-TSM_SJ-0007_XX_00-DR-TR-0012
 BCIDB-JAC-TSM_SJ-0007_XX_00-DR-TR-0013
 BCIDB-JAC-TSM_SJ-0007_XX_00-DR-TR-0014
 BCIDB-JAC-TSM_SJ-0007_XX_00-DR-TR-0015
 BCIDB-JAC-TSM_SJ-0007_XX_00-DR-TR-0016
 BCIDB-JAC-TSM_SJ-0007_XX_00-DR-TR-0017
 BCIDB-JAC-TSM_SJ-0007_XX_00-DR-TR-0018
 BCIDB-JAC-TSM_SJ-0007_XX_00-DR-TR-0019
 BCIDB-JAC-TSM_SJ-0007_XX_00-DR-TR-0020
 BCIDB-JAC-TSM_SJ-0007_XX_00-DR-TR-0021
 BCIDB-JAC-TSM_SJ-0007_XX_00-DR-TR-0022
 BCIDB-JAC-TSM_SJ-0007_XX_00-DR-TR-0023
 BCIDB-JAC-TSM_SJ-0007_XX_00-DR-TR-0024
 BCIDB-JAC-TSM_SJ-0007_XX_00-DR-TR-0025
 BCIDB-JAC-TSM_SJ-0007_XX_00-DR-TR-0026
 BCIDB-JAC-TSM_SJ-0007_XX_00-DR-TR-0027

DRAWING SERIES DESCRIPTION

LIFFEY VALLEY TO CITY CENTRE CORE BUS CORRIDOR SCHEME. JUNCTION SYSTEMS DESIGN. COVER SHEET
 LIFFEY VALLEY TO CITY CENTRE CORE BUS CORRIDOR SCHEME. JUNCTION SYSTEMS DESIGN. KEY PLAN
 LIFFEY VALLEY TO CITY CENTRE CORE BUS CORRIDOR SCHEME. JUNCTION SYSTEMS DESIGN. FONTHILL ROAD / RETAIL PARK SHOPPING CENTRE JUNCTION
 LIFFEY VALLEY TO CITY CENTRE CORE BUS CORRIDOR SCHEME. JUNCTION SYSTEMS DESIGN. FONTHILL ROAD JUNCTION
 LIFFEY VALLEY TO CITY CENTRE CORE BUS CORRIDOR SCHEME. JUNCTION SYSTEMS DESIGN. COLDCUT ROAD / FONTHILL ROAD JUNCTION
 LIFFEY VALLEY TO CITY CENTRE CORE BUS CORRIDOR SCHEME. JUNCTION SYSTEMS DESIGN. M50 BRIDGE SIGNAL CONTROLLED PRIORITY
 LIFFEY VALLEY TO CITY CENTRE CORE BUS CORRIDOR SCHEME. JUNCTION SYSTEMS DESIGN. COLDCUT ROAD / CLOVERHILL ROAD JUNCTION
 LIFFEY VALLEY TO CITY CENTRE CORE BUS CORRIDOR SCHEME. JUNCTION SYSTEMS DESIGN. COLDCUT ROAD / KENNELSFORT ROAD UPPER / BALLYFERMOT ROAD JUNCTION
 LIFFEY VALLEY TO CITY CENTRE CORE BUS CORRIDOR SCHEME. JUNCTION SYSTEMS DESIGN. BALLYFERMOT ROAD / PRIMARY HEALTH CARE CENTRE JUNCTION
 LIFFEY VALLEY TO CITY CENTRE CORE BUS CORRIDOR SCHEME. JUNCTION SYSTEMS DESIGN. BALLYFERMOT ROAD / CLIFDEN ROAD JUNCTION
 LIFFEY VALLEY TO CITY CENTRE CORE BUS CORRIDOR SCHEME. JUNCTION SYSTEMS DESIGN. BALLYFERMOT ROAD / DRUMFINN ROAD JUNCTION
 LIFFEY VALLEY TO CITY CENTRE CORE BUS CORRIDOR SCHEME. JUNCTION SYSTEMS DESIGN. BALLYFERMOT ROAD / LE FANU ROAD JUNCTION
 LIFFEY VALLEY TO CITY CENTRE CORE BUS CORRIDOR SCHEME. JUNCTION SYSTEMS DESIGN. LE FANU / KYLEMORE ROAD / CHAPELIZOD HILL JUNCTION
 LIFFEY VALLEY TO CITY CENTRE CORE BUS CORRIDOR SCHEME. JUNCTION SYSTEMS DESIGN. BALLYFERMOT ROAD / COMMERCIAL CENTRE JUNCTION
 LIFFEY VALLEY TO CITY CENTRE CORE BUS CORRIDOR SCHEME. JUNCTION SYSTEMS DESIGN. BALLYFERMOT ROAD / KYLEMORE ROAD JUNCTION
 LIFFEY VALLEY TO CITY CENTRE CORE BUS CORRIDOR SCHEME. JUNCTION SYSTEMS DESIGN. SARSFIELD ROAD / LANDEN ROAD JUNCTION
 LIFFEY VALLEY TO CITY CENTRE CORE BUS CORRIDOR SCHEME. JUNCTION SYSTEMS DESIGN. SARSFIELD ROAD / CON COLBERT ROAD JUNCTION
 LIFFEY VALLEY TO CITY CENTRE CORE BUS CORRIDOR SCHEME. JUNCTION SYSTEMS DESIGN. INCHICORE ROAD / MEMORIAL ROAD JUNCTION
 LIFFEY VALLEY TO CITY CENTRE CORE BUS CORRIDOR SCHEME. JUNCTION SYSTEMS DESIGN. SARSFIELD ROAD / INCHICORE ROAD / GRATTAN CRESCENT JUNCTION
 LIFFEY VALLEY TO CITY CENTRE CORE BUS CORRIDOR SCHEME. JUNCTION SYSTEMS DESIGN. GRATTAN CRESCENT / TYRCONNELL ROAD / EMMET ROAD JUNCTION
 LIFFEY VALLEY TO CITY CENTRE CORE BUS CORRIDOR SCHEME. JUNCTION SYSTEMS DESIGN. EMMET ROAD / ST VINCENT STREET WEST JUNCTION
 LIFFEY VALLEY TO CITY CENTRE CORE BUS CORRIDOR SCHEME. JUNCTION SYSTEMS DESIGN. EMMET ROAD / SOUTH CIRCULAR ROAD / OLD KILMAINHAM JUNCTION
 LIFFEY VALLEY TO CITY CENTRE CORE BUS CORRIDOR SCHEME. JUNCTION SYSTEMS DESIGN. JAMES STREET / ST JAMES'S HOSPITAL JUNCTION
 LIFFEY VALLEY TO CITY CENTRE CORE BUS CORRIDOR SCHEME. JUNCTION SYSTEMS DESIGN. JAMES STREET / BOW LANE WEST JUNCTION
 LIFFEY VALLEY TO CITY CENTRE CORE BUS CORRIDOR SCHEME. JUNCTION SYSTEMS DESIGN. JAMES STREET / THOMAS STREET / WATLING STREET JUNCTION
 LIFFEY VALLEY TO CITY CENTRE CORE BUS CORRIDOR SCHEME. JUNCTION SYSTEMS DESIGN. THOMAS STREET / BRIDGEFOOT STREET / THOMAS COURT JUNCTION
 LIFFEY VALLEY TO CITY CENTRE CORE BUS CORRIDOR SCHEME. JUNCTION SYSTEMS DESIGN. THOMAS STREET / MEATH STREET JUNCTION
 LIFFEY VALLEY TO CITY CENTRE CORE BUS CORRIDOR SCHEME. JUNCTION SYSTEMS DESIGN. THOMAS ST. / CORNMARKE / ST ' AUGUSTINE ST. / FRANCIS ST. JUNCTION
 LIFFEY VALLEY TO CITY CENTRE CORE BUS CORRIDOR SCHEME. JUNCTION SYSTEMS DESIGN. CORNMARKE / HIGH STREET / BRIDGE STREET UPPER JUNCTION

C:\pwworking\jacobs_uk_highways_ssa\legintl_cashehd0147657\BCIDB-JAC-TSM_IX-0007_XX_00-DR-TR-0001.dwg

Disclaimer
 a. © National Transport Authority (NTA) 2022. This drawing is confidential and the copyright in it is owned by NTA. This drawing must not be either loaned, copied or otherwise reproduced in whole or in part or used for any purpose without the prior permission of NTA.
 b. This drawing is to be used for the design element identified in the title block. Other information shown is to be considered indicative only. The drawing is to be read in conjunction with all other relevant design drawings.
 c. O.S. data used for plans are printed under © Ordnance Survey Ireland Government of Ireland. All rights reserved. Licence Number 2022/O.S. NMA_180 National Transport Authority. All elevations are in metres and relate to O.Si Geoid Model (OSGM15) Mean Head. All Co-ordinates are in Irish Transverse Mercator Grid (ITM) as defined by OSI active local GPS station.
 d. Information concerning the position of apparatus shown on this drawing is based on drawings supplied by the utility owners and/or the utility works contractor, whilst every care has been taken in the preparation of this drawing, positions should be taken as approximate and are intended for general guidance only and no representation is made by the NTA as to the accuracy, completeness, sufficiency or otherwise of this drawing and the position of the apparatus. The information contained herein does not purport to be comprehensive or final as the apparatus is subject to being altered and/or superseded. Recipients should not rely on this information. Any liabilities are hereby expressly disclaimed.
 e. The information contained herein has been provided by the NTA but does not purport to be comprehensive or final. Recipients should not rely on the information. Neither the NTA nor any of its directors, officers, employees, agents, stakeholders or advisers make any representation or warranty as to, or accept any liability or responsibility in relation to, the adequacy, accuracy, reasonableness or completeness of the information provided as part of this document or any matter on which the information is based (including but not limited to loss or damage arising as a result of reliance by recipients on the information or any part of it). Any liabilities are hereby expressly disclaimed.

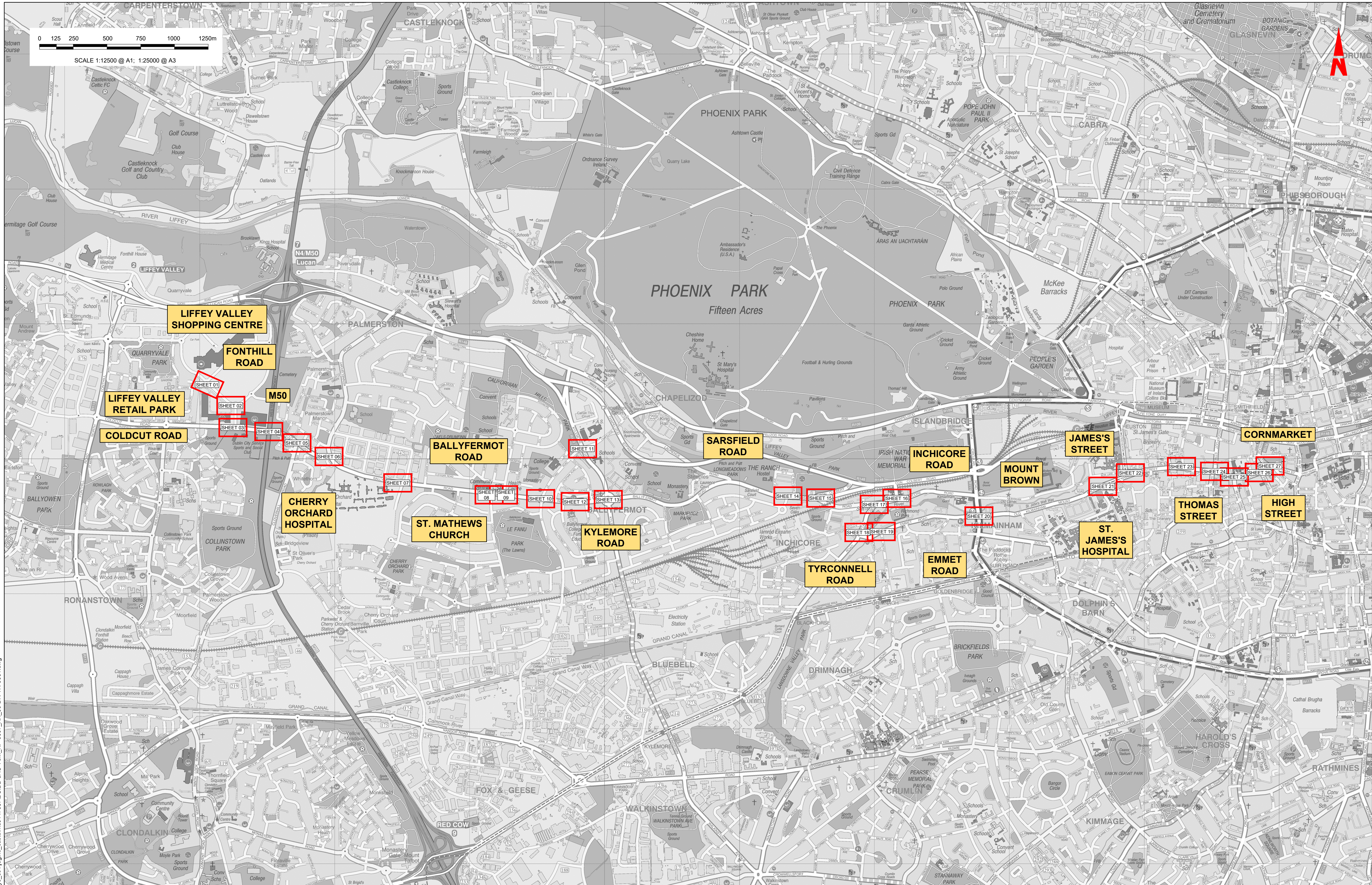


Rev	Date	Drn	Chk'd	App'd	Description
M01	07/06/2022	PT	KM	JB	ISSUE FOR PHASE 4: PLANNING

Client NTA Údarás Náisiúnta Iompair National Transport Authority		Engineering Designer Jacobs			
Date 07/06/2022	Scale NTS @ A1 NTS @ A3	Drawn PT	Checked KM	Approved JB	
Project Code BCIDB	Originator Code JAC	QMS Code			

Programme Title BUSCONNECTS DUBLIN CORE BUS CORRIDORS INFRASTRUCTURE WORKS			
Drawing Title LIFFEY VALLEY TO CITY CENTRE CORE BUS CORRIDOR SCHEME JUNCTION SYSTEMS DESIGN COVER SHEET			
Drawing File Name BCIDB-JAC-TSM_IX_0007_XX_00-DR-TR-0001	Sheet Number 01 of 01	Status A	Rev M01

DO NOT SCALE USE FIGURED DIMENSIONS ONLY



Disclaimer
 a. © National Transport Authority (NTA) 2022. This drawing is confidential and the copyright in it is owned by NTA. This drawing must not be either loaned, copied or otherwise reproduced in whole or in part or used for any purpose without the prior permission of NTA.
 b. This drawing is to be used for the design element identified in the titleblock. Other information shown is to be considered indicative only. The drawing is to be read in conjunction with all other relevant design drawings.
 c. O.S. data used for plans are printed under © Ordnance Survey Ireland Government of Ireland. All rights reserved. Licence Number 2022/OSI_NMA_180 National Transport Authority. All elevations are in metres and relate to OSi Geoid Model (OSGM15) Mean Head. All Co-ordinates are in Irish

Transverse Mercator Grid (ITM) as defined by OSI active local GPS station.
 d. Information concerning the position of apparatus shown on this drawing is based on drawings supplied by the utility owners and/or the utility works contractor, whilst every care has been taken in the preparation of this drawing, positions should be taken as approximate and are intended for general guidance only and no representation is made by the NTA as to the accuracy, completeness, sufficiency or otherwise of this drawing and the position of the apparatus. The information contained herein does not purport to be comprehensive or final as the apparatus is subject to being altered and/or superseded. Recipients should not rely on this information. Any liabilities are hereby expressly disclaimed.

The information contained herein has been provided by the NTA but does not purport to be comprehensive or final. Recipients should not rely on the information. Neither the NTA nor any of its directors, officers, employees, agents, stakeholders or advisers make any representation or warranty as to, or accept any liability or responsibility in relation to, the adequacy, accuracy, reasonableness or completeness of the information provided as part of this document or any matter on which the information is based (including but not limited to loss or damage arising as a result of reliance by recipients on the information or any part of it). Any liabilities are hereby expressly disclaimed.

Rev	Date	Drm	Chk'd	App'd	Description
M01	07/06/2022	PT	KM	JB	ISSUE FOR PHASE 4: PLANNING

Client: **NTA**
 Údarás Náisiúnta Iompair
 National Transport Authority

Engineering Designer: **Jacobs**

Date: 07/06/2022 Scale: 1:12500 @ A1
 1:25000 @ A3

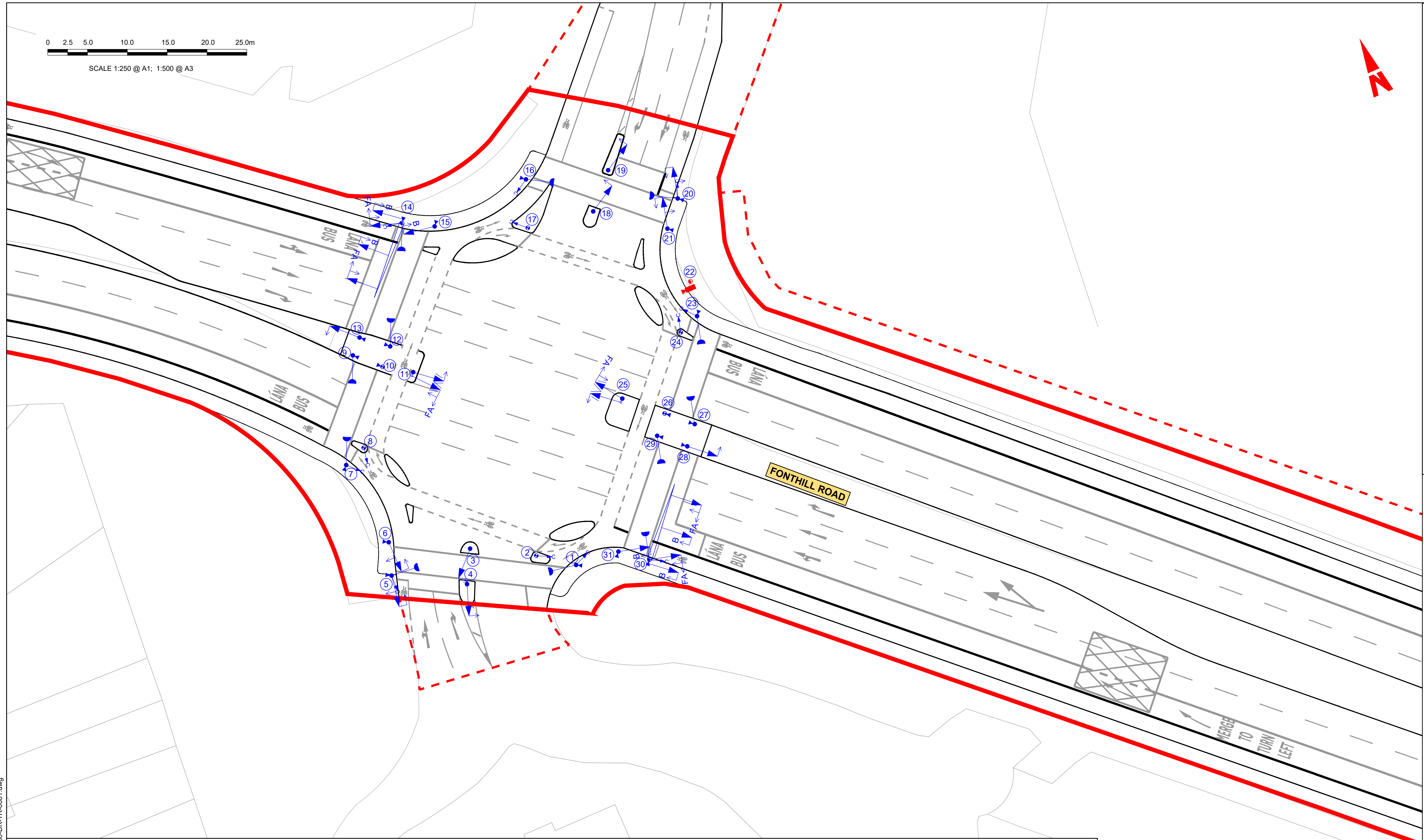
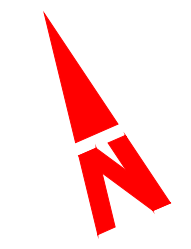
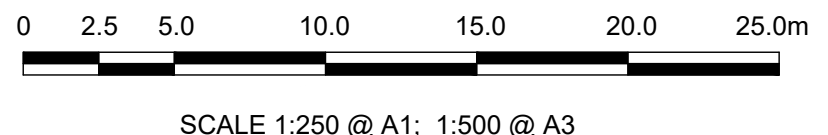
Project Code: BCIDB Originator Code: JAC

Drawn: PT Checked: KM Approved: JB

QMS Code:

Programme Title			
BUSCONNECTS DUBLIN			
CORE BUS CORRIDORS INFRASTRUCTURE WORKS			
Drawing Title			
LIFFEY VALLEY TO CITY CENTRE CORE BUS CORRIDOR SCHEME			
JUNCTION SYSTEMS DESIGN			
KEY PLAN			
Drawing File Name	Sheet Number	Status	Rev
BCIDB-JAC-TSM_KP-0007_XX_00-DR-TR-0001	01 of 01	A	M01

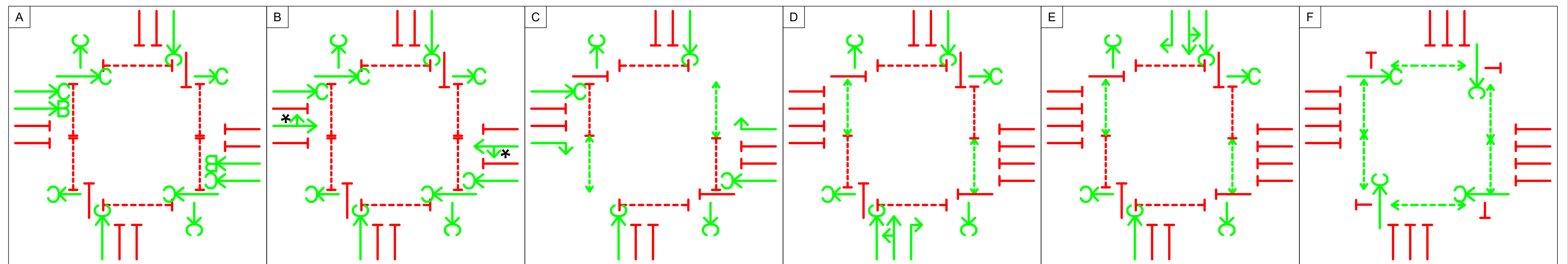
DO NOT SCALE USE FIGURED DIMENSIONS ONLY



- LEGEND:**
- TRAFFIC SIGNAL HEADS:**
- RTS 002(C) PRIMARY
 - RTS 002(C) SECONDARY
 - RTS 002(E) PRIMARY
 - RTS 003(H) PRIMARY
 - RTS 004(E) PRIMARY
 - RTS 004(E) SECONDARY
 - RTS 007 (LOW LEVEL) PRIMARY
 - RPC 004 PEDESTRIAN HEAD
- TRAFFIC SIGNAL EQUIPMENT:**
- POLE (STANDARD HEIGHT)
 - TALL POLE (CCTV/TRAFFIC SIGNALS)
 - SMALL POLE
 - POLE NUMBER
 - PUSH BUTTON UNIT
 - PAN / TILT / ZOOM CCTV CAMERA
- GENERAL:**
- SITE BOUNDARY LINE
 - TEMPORARY LAND ACQUISITION

Indicative Method of Control

* denotes Flashing Amber



Disclaimer

a. © National Transport Authority (NTA) 2022. This drawing is confidential and the copyright in it is owned by NTA. This drawing must not be either loaned, copied or otherwise reproduced in whole or in part or used for any purpose without the prior permission of NTA.

b. This drawing is to be used for the design element identified in the titleblock. Other information shown is to be considered indicative only. The drawing is to be read in conjunction with all other relevant design drawings.

c. O.S. data used for plans are printed under © Ordnance Survey Ireland Government of Ireland. All rights reserved. Licence Number 2022/OSI_NMA_180 National Transport Authority. All elevations are in metres and relate to OSI Geoid Model (OSGM15) Malin Head. All Co-ordinates are in Irish Transverse Mercator Grid (ITM) as defined by OSI active local GPS station.

d. Information concerning the position of apparatus shown on this drawing is based on drawings supplied by the utility owners and/or the utility works contractor, whilst every care has been taken in the preparation of this drawing, positions should be taken as approximate and are intended for general guidance only and no representation is made by the NTA as to the accuracy, completeness, sufficiency or otherwise of this drawing and the position of the apparatus. The information contained herein does not purport to be comprehensive or final as the apparatus is subject to being altered and/or superseded. Recipients should not rely on this information. Any liabilities are hereby expressly disclaimed.

e. The information contained herein has been provided by the NTA but does not purport to be comprehensive or final. Recipients should not rely on the information. Neither the NTA nor any of its directors, officers, employees, agents, stakeholders or advisers make any representation or warranty as to, or accept any liability or responsibility in relation to, the adequacy, accuracy, reasonableness or completeness of the information provided as part of this document or any matter on which the information is based (including but not limited to loss or damage arising as a result of reliance by recipients on the information or any part of it). Any liabilities are hereby expressly disclaimed.

Project Ireland 2040
Building Ireland's Future

Rev	Date	Drn	Chk'd	App'd	Description
M01	07/06/2022	PT	KM	JB	ISSUE FOR PHASE 4: PLANNING

Client: **NTA**
Údarás Náisiúnta Iompair
National Transport Authority

Engineering Designer: **Jacobs**

Date: 07/06/2022 | Scale: 1:250 @ A1, 1:500 @ A3 | Drawn: PT | Checked: KM | Approved: JB

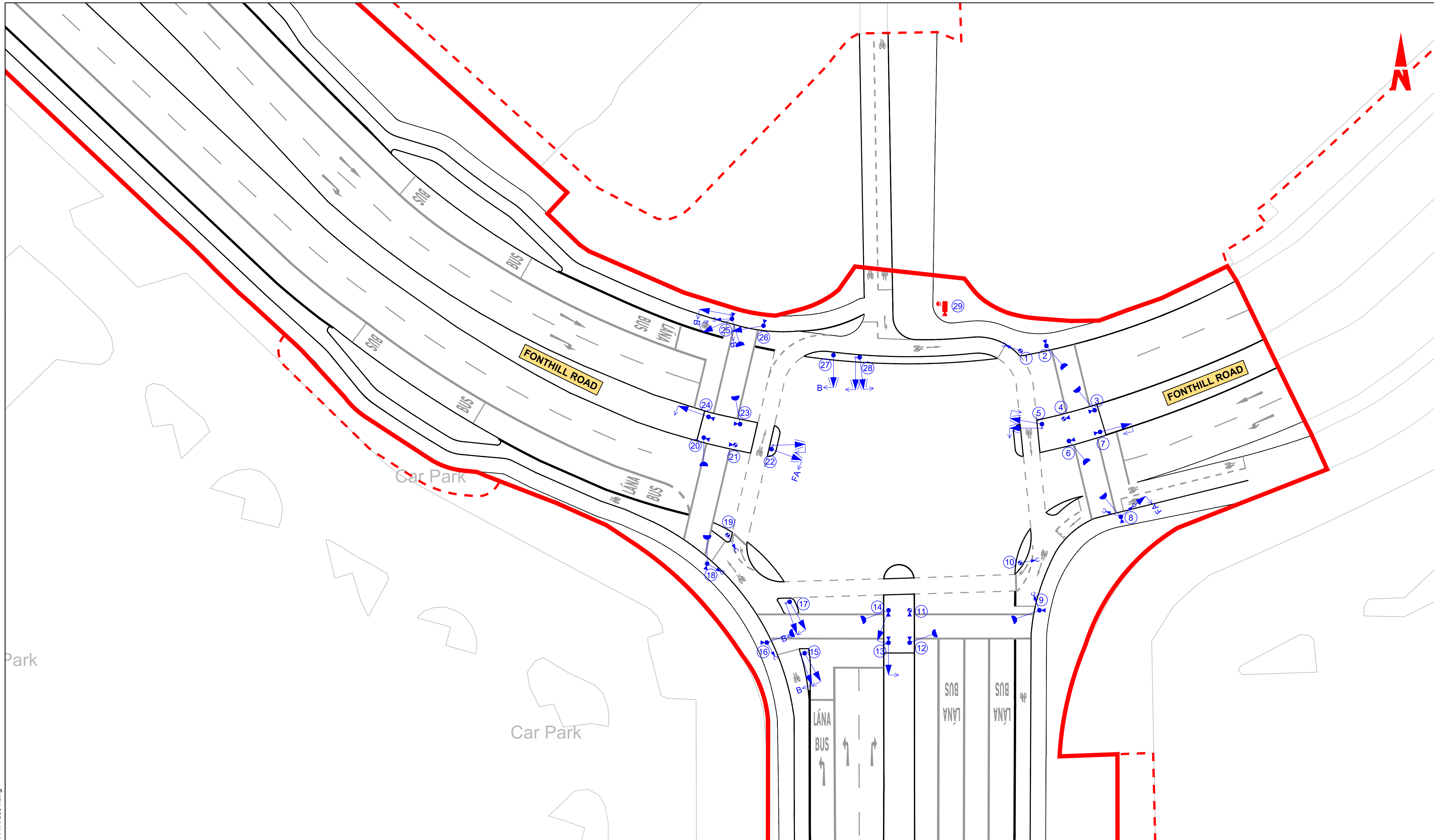
Project Code: BCIDB | Originator Code: JAC | QMS Code:

Programme Title: **BUSCONNECTS DUBLIN CORE BUS CORRIDORS INFRASTRUCTURE WORKS**

Drawing Title: LIFFEY VALLEY TO CITY CENTRE CORE BUS CORRIDOR SCHEME JUNCTION SYSTEMS DESIGN FONTHILL ROAD / RETAIL PARK SHOPPING CENTRE JUNCTION

Drawing File Name: BCIDB-JAC-TSM_SJ-0007_XX_00-DR-TR-0001	Sheet Number: 01 of 27	Status: A	Rev: M01
---	------------------------	-----------	----------

C:\pwworking\jacobs_uk_highways_ss4\legintl_caslehd0147657\BCIDB-JAC-TSM_SJ-0007_XX_00-DR-TR-0001.dwg



LEGEND:

TRAFFIC SIGNAL HEADS:

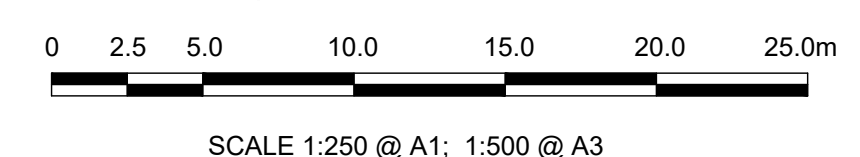
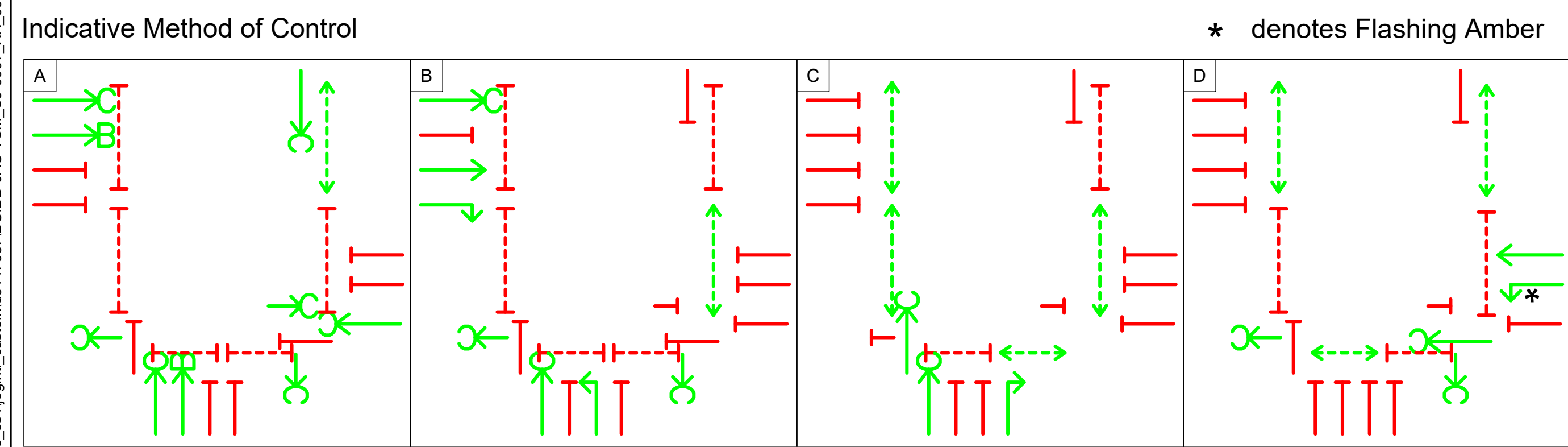
- RTS 002(A) PRIMARY
- RTS 002(A) SECONDARY
- RTS 002(B) PRIMARY
- RTS 002(B) SECONDARY
- RTS 002(C) PRIMARY
- RTS 002(C) SECONDARY
- RTS 002(I) PRIMARY
- RTS 002(I) SECONDARY
- RTS 002(J) PRIMARY
- RTS 004(B) PRIMARY
- RTS 004(B) SECONDARY
- RTS 007 PRIMARY
- RTS 007 (LOW LEVEL) PRIMARY
- RPC 004 PEDESTRIAN HEAD

TRAFFIC SIGNAL EQUIPMENT:

- POLE (STANDARD HEIGHT)
- TALL POLE (CCTV/TRAFFIC SIGNALS)
- SMALL POLE
- POLE NUMBER
- PUSH BUTTON UNIT
- PAN / TILT / ZOOM CCTV CAMERA

GENERAL:

- SITE BOUNDARY LINE
- TEMPORARY LAND ACQUISITION



Disclaimer

a. © National Transport Authority (NTA) 2022. This drawing is confidential and the copyright in it is owned by NTA. This drawing must not be either loaned, copied or otherwise reproduced in whole or in part or used for any purpose without the prior permission of NTA.

b. This drawing is to be used for the design element identified in the titleblock. Other information shown is to be considered indicative only. The drawing is to be read in conjunction with all other relevant design drawings.

c. O.S. data used for plans are printed under © Ordnance Survey Ireland Government of Ireland. All rights reserved. Licence Number 2022/OSI_NMA_180 National Transport Authority. All elevations are in metres and relate to OSI Geoid Model (OSGM15) Mean Head. All Co-ordinates are in Irish

Transverse Mercator Grid (ITM) as defined by OSI active local GPS station.

d. Information concerning the position of apparatus shown on this drawing is based on drawings supplied by the utility owners and/or the utility works contractor, whilst every care has been taken in the preparation of this drawing, positions should be taken as approximate and are intended for general guidance only and no representation is made by the NTA as to the accuracy, completeness, sufficiency or otherwise of this drawing and the position of the apparatus. The information contained herein does not purport to be comprehensive or final as the apparatus is subject to being altered and/or superceded. Recipients should not rely on this information. Any liabilities are hereby expressly disclaimed.

e. The information contained herein has been provided by the NTA but does not purport to be comprehensive or final. Recipients should not rely on the information. Neither the NTA nor any of its directors, officers, employees, agents, stakeholders or advisers make any representation or warranty as to, or accept any liability or responsibility in relation to, the adequacy, accuracy, reasonableness or completeness of the information provided as part of this document or any matter on which the information is based (including but not limited to loss or damage arising as a result of reliance by recipients on the information or any part of it). Any liabilities are hereby expressly disclaimed.

Rev	Date	Dwn	Chk'd	App'd	Description
M01	07/06/2022	PT	KM	JB	ISSUE FOR PHASE 4: PLANNING

Client: **NTA**
Údarás Náisiúnta Iompair
National Transport Authority

Engineering Designer: **Jacobs**

Date	Scale	Drawn	Checked	Approved
07/06/2022	1:250 @ A1 1:500 @ A3	PT	KM	JB

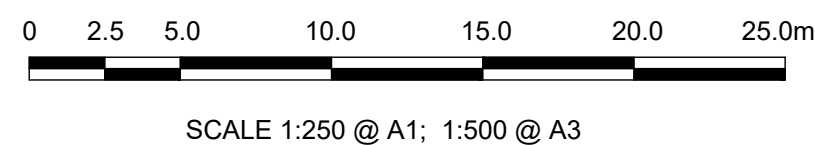
Project Code: BCIDB | Originator Code: JAC | QMS Code:

Programme Title: **BUSCONNECTS DUBLIN**
CORE BUS CORRIDORS INFRASTRUCTURE WORKS

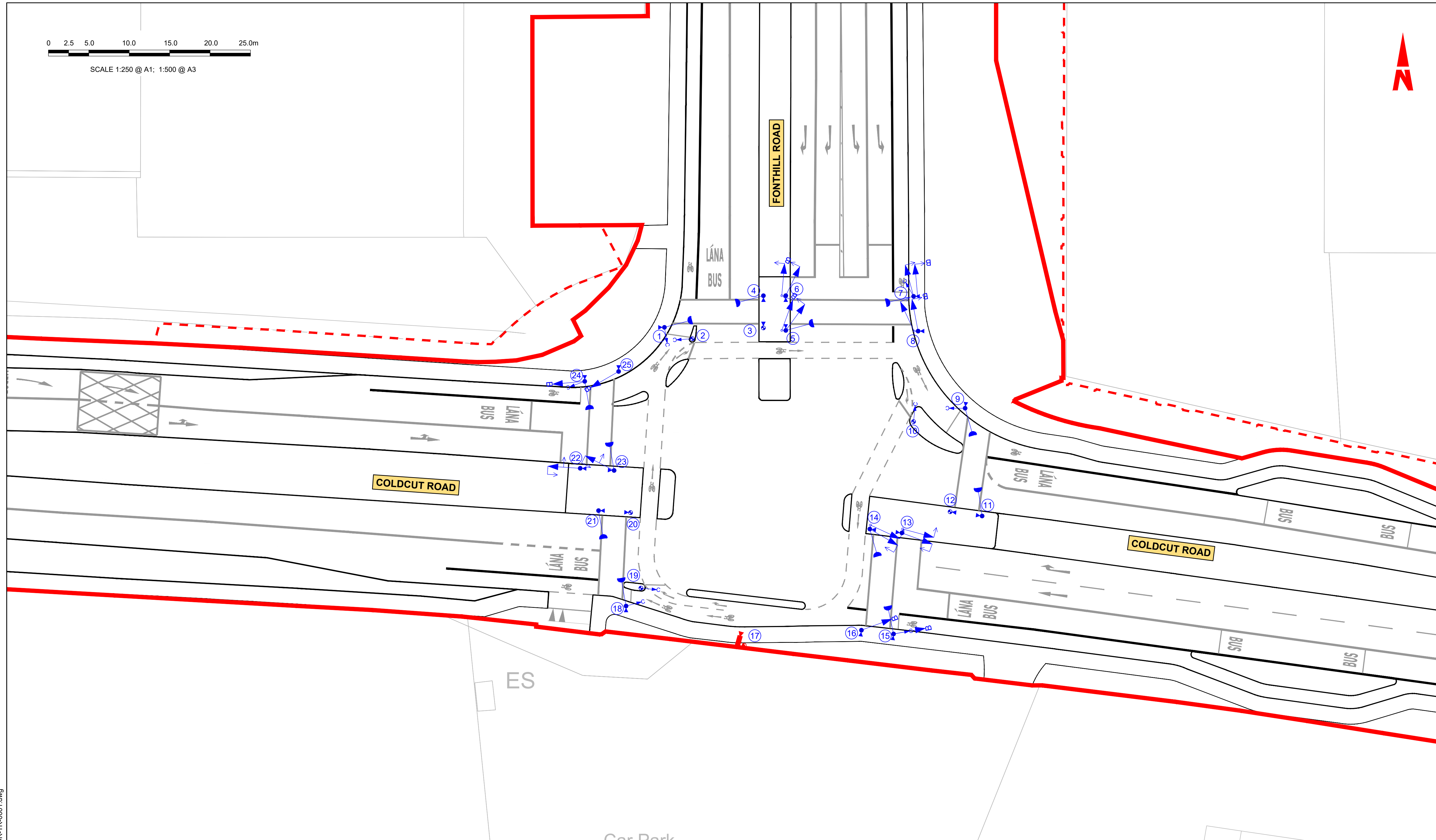
Drawing Title: LIFFEY VALLEY TO CITY CENTRE CORE BUS CORRIDOR SCHEME
JUNCTION SYSTEMS DESIGN
FONTHILL ROAD

Drawing File Name	Sheet Number	Status	Rev
BCIDB-JAC-TSM_SJ-0007_XX_00-DR-TR-0002	02 of 27	A	M01

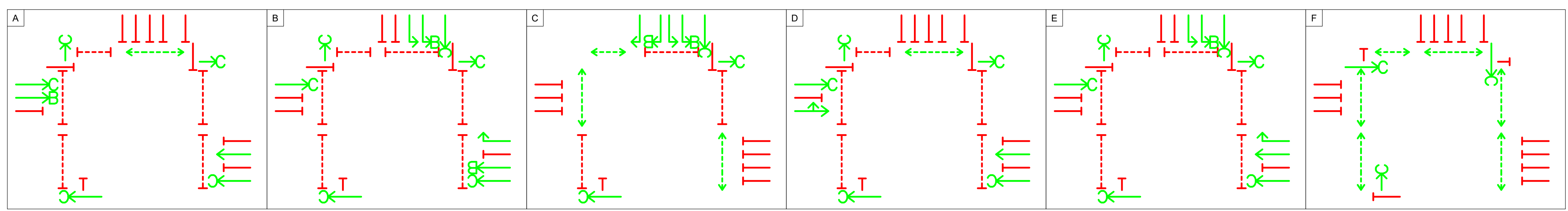
C:\pwworking\jacobs_uk_highways_ss4\legintl_caslehd0147657\BCIDB-JAC-TSM_SJ-0007_XX_00-DR-TR-0001.dwg



- LEGEND:**
- TRAFFIC SIGNAL HEADS:**
- RTS 002(A) PRIMARY
 - RTS 002(B) PRIMARY
 - RTS 002(C) PRIMARY
 - RTS 002(D) PRIMARY
 - RTS 002(I) PRIMARY
 - RTS 002(J) PRIMARY
 - RTS 003(H) PRIMARY
 - RTS 007 (LOW LEVEL) PRIMARY
 - RPC 004 PEDESTRIAN HEAD
- TRAFFIC SIGNAL EQUIPMENT:**
- POLE (STANDARD HEIGHT)
 - TALL POLE (CCTV/TRAFFIC SIGNALS)
 - SMALL POLE
 - POLE NUMBER
 - PUSH BUTTON UNIT
 - PAN / TILT / ZOOM CCTV CAMERA
- GENERAL:**
- SITE BOUNDARY LINE
 - TEMPORARY LAND ACQUISITION



Indicative Method of Control



Disclaimer

a. © National Transport Authority (NTA) 2022. This drawing is confidential and the copyright in it is owned by NTA. This drawing must not be either loaned, copied or otherwise reproduced in whole or in part or used for any purpose without the prior permission of NTA.

b. This drawing is to be used for the design element identified in the titleblock. Other information shown is to be considered indicative only. The drawing is to be read in conjunction with all other relevant design drawings.

c. O.S. data used for plans are printed under © Ordnance Survey Ireland Government of Ireland. All rights reserved. Licence Number 2022/OSI_NMA_180 National Transport Authority. All elevations are in metres and relate to OSI Geoid Model (OSGM15) Mean Head. All Co-ordinates are in Irish Transverse Mercator Grid (ITM) as defined by OSI active local GPS station.

d. Information concerning the position of apparatus shown on this drawing is based on drawings supplied by the utility owners and/or the utility works contractor, whilst every care has been taken in the preparation of this drawing, positions should be taken as approximate and are intended for general guidance only and no representation is made by the NTA as to the accuracy, completeness, sufficiency or otherwise of this drawing and the position of the apparatus. The information contained herein does not purport to be comprehensive or final as the apparatus is subject to being altered and/or superceded. Recipients should not rely on this information. Any liabilities are hereby expressly disclaimed.

e. The information contained herein has been provided by the NTA but does not purport to be comprehensive or final. Recipients should not rely on the information. Neither the NTA nor any of its directors, officers, employees, agents, stakeholders or advisers make any representation or warranty as to, or accept any liability or responsibility in relation to, the adequacy, accuracy, reasonableness or completeness of the information provided as part of this document or any matter on which the information is based (including but not limited to loss or damage arising as a result of reliance by recipients on the information or any part of it). Any liabilities are hereby expressly disclaimed.

Project Ireland 2040
Building Ireland's Future

Rev	Date	Drn	Chk'd	App'd	Description
M01	07/06/2022	PT	KM	JB	ISSUE FOR PHASE 4: PLANNING

NTA
Údarás Náisiúnta Iompair
National Transport Authority

Jacobs

Engineering Designer

Date: 07/06/2022 | Scale: 1:250 @ A1, 1:500 @ A3 | Drawn: PT | Checked: KM | Approved: JB

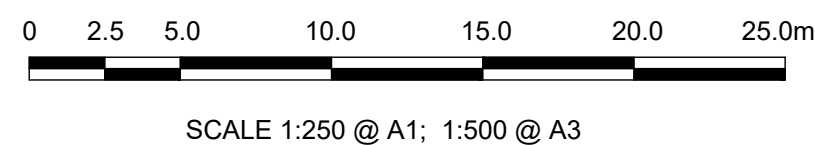
Project Code: BCIDB | Originator Code: JAC | QMS Code:

Programme Title: **BUSCONNECTS DUBLIN**
CORE BUS CORRIDORS INFRASTRUCTURE WORKS

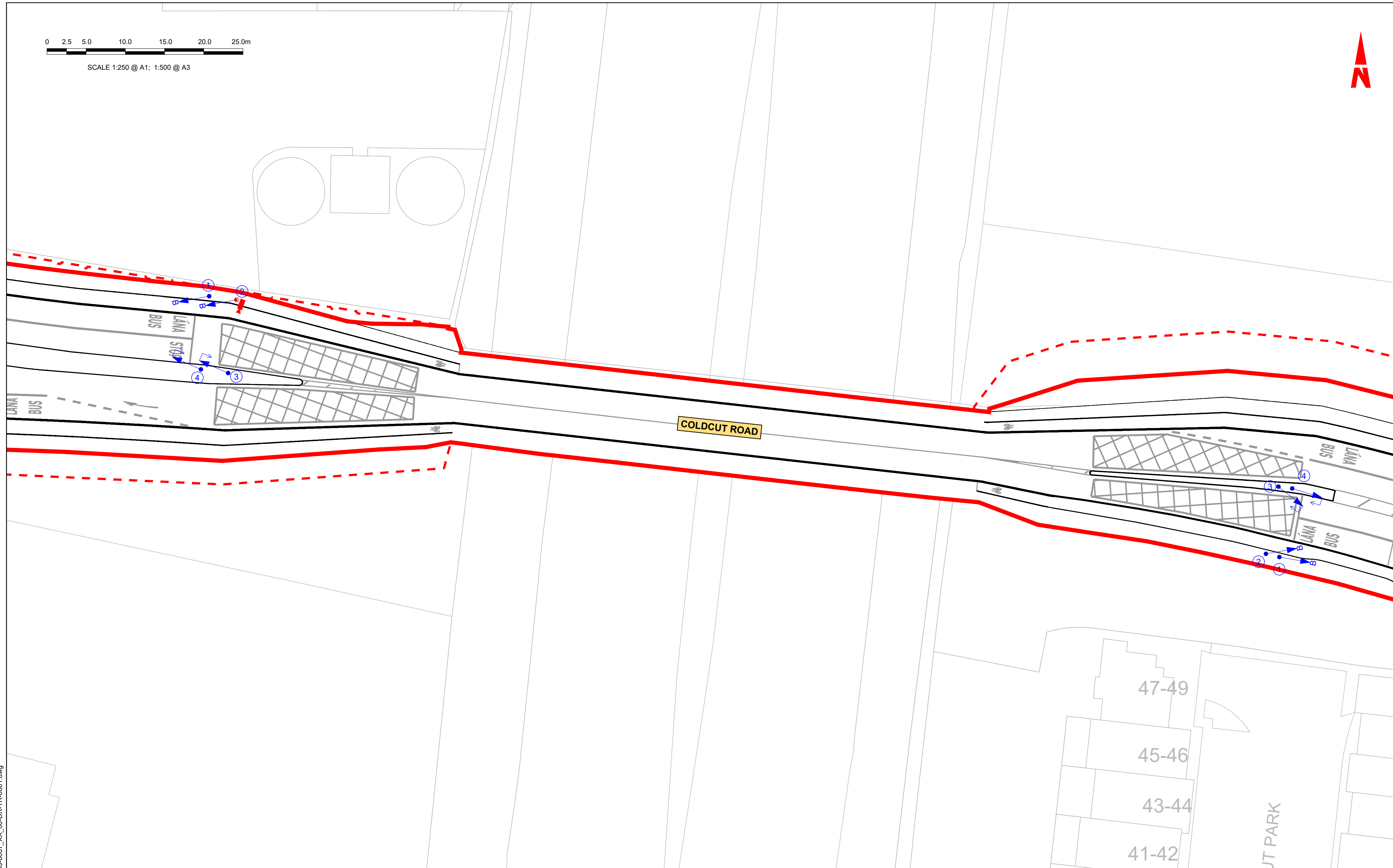
Drawing Title: LIFFEY VALLEY TO CITY CENTRE CORE BUS CORRIDOR SCHEME
JUNCTION SYSTEMS DESIGN
COLD CUT ROAD / FONTHILL ROAD JUNCTION

Drawing File Name: BCIDB-JAC-TSM_SJ-0007_XX_00-DR-TR-0003 | Sheet Number: 03 of 27 | Status: A | Rev: M01

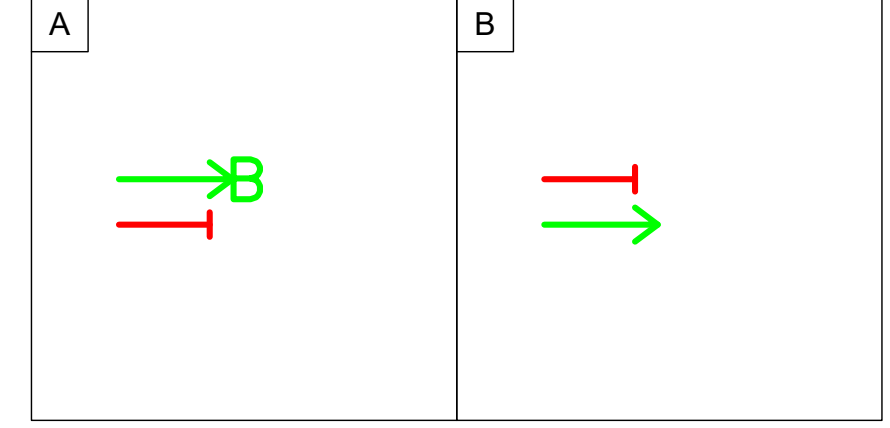
C:\pwworking\jacobs_uk_highways_ss4\legintl_castlehd0147657\BCIDB-JAC-TSM_SJ-0007_XX_00-DR-TR-0001.dwg



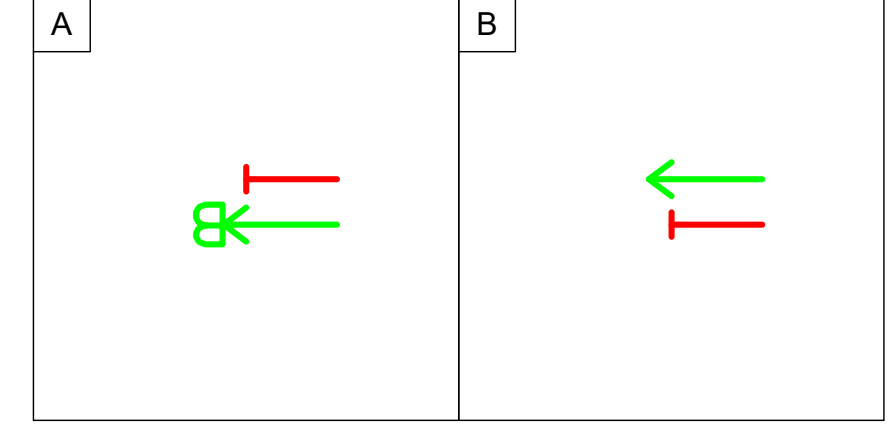
- LEGEND:**
- TRAFFIC SIGNAL HEADS:**
 - RTS 002(B) PRIMARY
 - RTS 002(D) PRIMARY
 - TRAFFIC SIGNAL EQUIPMENT:**
 - POLE (STANDARD HEIGHT)
 - TALL POLE (CCTV/TRAFFIC SIGNALS)
 - POLE NUMBER
 - PAN / TILT / ZOOM CCTV CAMERA
 - GENERAL:**
 - SITE BOUNDARY LINE
 - TEMPORARY LAND ACQUISITION



Indicative Method of Control - Stream 1 M50 Eastbound Signal Controlled Priority



Indicative Method of Control - Stream 2 M50 Westbound Signal Controlled Priority



Disclaimer

a. © National Transport Authority (NTA) 2022. This drawing is confidential and the copyright in it is owned by NTA. This drawing must not be either loaned, copied or otherwise reproduced in whole or in part or used for any purpose without the prior permission of NTA.

b. This drawing is to be used for the design element identified in the titleblock. Other information shown is to be considered indicative only. The drawing is to be read in conjunction with all other relevant design drawings.

c. O.S. data used for plans are printed under © Ordnance Survey Ireland Government of Ireland. All rights reserved. Licence Number 2022/OSI_NMA_180 National Transport Authority. All elevations are in metres and relate to OSI Geoid Model (OSGM15) Mean Head. All Co-ordinates are in Irish Transverse Mercator Grid (ITM) as defined by OSI active local GPS station.

d. Information concerning the position of apparatus shown on this drawing is based on drawings supplied by the utility owners and/or the utility works contractor, whilst every care has been taken in the preparation of this drawing, positions should be taken as approximate and are intended for general guidance only and no representation is made by the NTA as to the accuracy, completeness, sufficiency or otherwise of this drawing and the position of the apparatus. The information contained herein does not purport to be comprehensive or final as the apparatus is subject to being altered and/or superceded. Recipients should not rely on this information. Any liabilities are hereby expressly disclaimed.

e. The information contained herein has been provided by the NTA but does not purport to be comprehensive or final. Recipients should not rely on the information. Neither the NTA nor any of its directors, officers, employees, agents, stakeholders or advisers make any representation or warranty as to, or accept any liability or responsibility in relation to, the adequacy, accuracy, reasonableness or completeness of the information provided as part of this document or any matter on which the information is based (including but not limited to loss or damage arising as a result of reliance by recipients on the information or any part of it). Any liabilities are hereby expressly disclaimed.



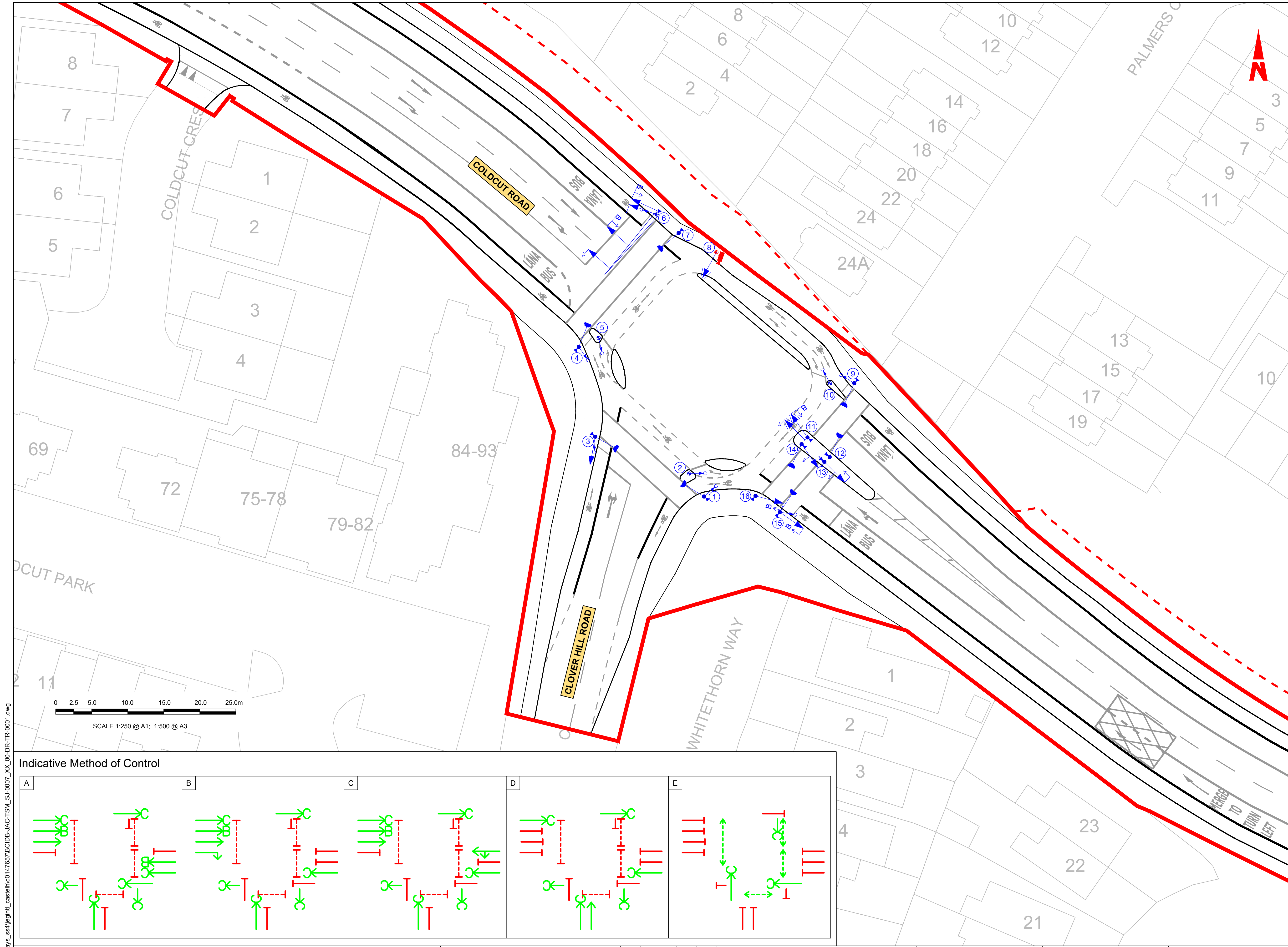
Rev	Date	Drn	Chk'd	App'd	Description
M01	07/06/2022	PT	KM	JB	ISSUE FOR PHASE 4: PLANNING

Date	Scale	Drawn	Checked	Approved
07/06/2022	1:250 @ A1 1:500 @ A3	PT	KM	JB
Project Code	Originator Code	QMS Code		
BCIDB	JAC			

Programme Title BUSCONNECTS DUBLIN CORE BUS CORRIDORS INFRASTRUCTURE WORKS			
Drawing Title LIFFEY VALLEY TO CITY CENTRE CORE BUS CORRIDOR SCHEME JUNCTION SYSTEMS DESIGN M50 BRIDGE SIGNAL CONTROLLED PRIORITY			
Drawing File Name	Sheet Number	Status	Rev
BCIDB-JAC-TSM_SJ-0007_XX_00-DR-TR-0004	04 of 27	A	M01

DO NOT SCALE USE FIGURED DIMENSIONS ONLY

C:\pwworking\jacobs_uk_highways_ssa\legintl_caslehd0147657\BCIDB-JAC-TSM_SJ-0007_XX_00-DR-TR-0001.dwg



LEGEND:

TRAFFIC SIGNAL HEADS:

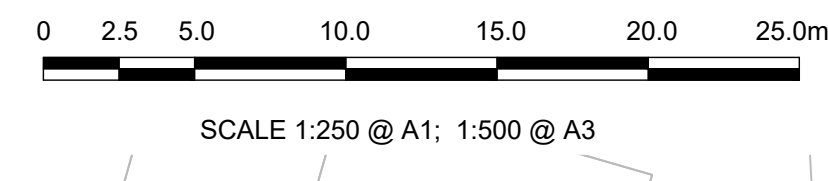
- RTS 001 PRIMARY
- RTS 001 SECONDARY
- RTS 002(C) PRIMARY
- RTS 002(C) SECONDARY
- RTS 002(E) PRIMARY
- RTS 002(K) PRIMARY
- RTS 002(K) SECONDARY
- RTS 003(H) PRIMARY
- RTS 007 PRIMARY
- RTS 007 (LOW LEVEL) PRIMARY
- RPC 004 PEDESTRIAN HEAD

TRAFFIC SIGNAL EQUIPMENT:

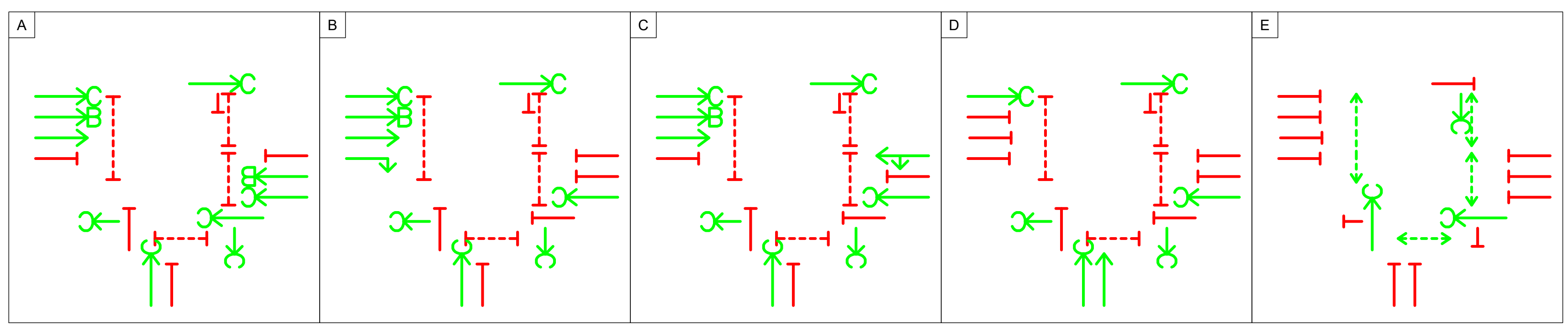
- POLE (STANDARD HEIGHT)
- TALL POLE (CCTV/TRAFFIC SIGNALS)
- SMALL POLE
- POLE NUMBER
- PUSH BUTTON UNIT
- PAN / TILT / ZOOM CCTV CAMERA

GENERAL:

- SITE BOUNDARY LINE
- TEMPORARY LAND ACQUISITION



Indicative Method of Control



C:\pwworking\jacobs_uk_highways_ssa\legintl_caslehd0147657\BCIDB-JAC-TSM_SJ-0007_XX_00-DR-TR-0001.dwg

Disclaimer

a. © National Transport Authority (NTA) 2022. This drawing is confidential and the copyright in it is owned by NTA. This drawing must not be either loaned, copied or otherwise reproduced in whole or in part or used for any purpose without the prior permission of NTA.

b. This drawing is to be used for the design element identified in the titlebox. Other information shown is to be considered indicative only. The drawing is to be read in conjunction with all other relevant design drawings.

c. O.S. data used for plans are printed under © Ordnance Survey Ireland Government of Ireland. All rights reserved. Licence Number 2022/OSI_NMA_180 National Transport Authority. All elevations are in metres and relate to OSI Geoid Model (OSGM15) Mean Head. All Co-ordinates are in Irish Transverse Mercator Grid (ITM) as defined by OSI active local GPS station.

d. Information concerning the position of apparatus shown on this drawing is based on drawings supplied by the utility owners and/or the utility works contractor, whilst every care has been taken in the preparation of this drawing, positions should be taken as approximate and are intended for general guidance only and no representation is made by the NTA as to the accuracy, completeness, sufficiency or otherwise of this drawing and the position of the apparatus. The information contained herein does not purport to be comprehensive or final as the apparatus is subject to being altered and/or superceded. Recipients should not rely on this information. Any liabilities are hereby expressly disclaimed.

e. The information contained herein has been provided by the NTA but does not purport to be comprehensive or final. Recipients should not rely on the information. Neither the NTA nor any of its directors, officers, employees, agents, stakeholders or advisers make any representation or warranty as to, or accept any liability or responsibility in relation to, the adequacy, accuracy, reasonableness or completeness of the information provided as part of this document or any matter on which the information is based (including but not limited to loss or damage arising as a result of reliance by recipients on the information or any part of it). Any liabilities are hereby expressly disclaimed.

Rev	Date	Drn	Chk'd	App'd	Description
M01	07/06/2022	PT	KM	JB	ISSUE FOR PHASE 4: PLANNING

Client: **NTA**
Údarás Náisiúnta Iompair
National Transport Authority

Engineering Designer: **Jacobs**

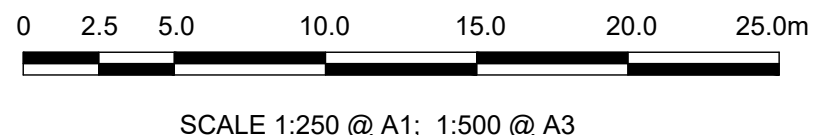
Date: 07/06/2022 Scale: 1:250 @ A1, 1:500 @ A3

Drawn: PT, Checked: KM, Approved: JB

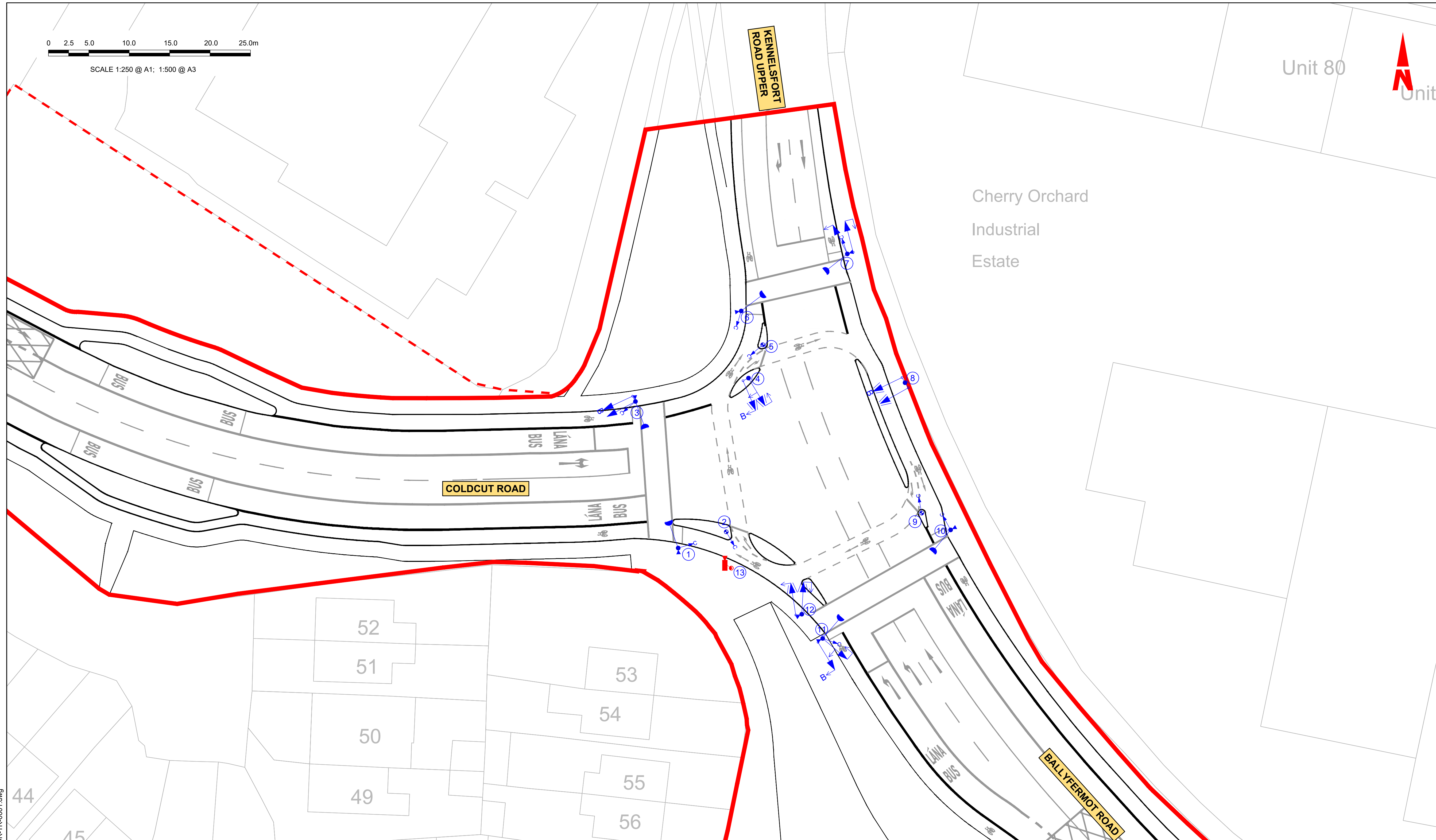
Project Code: BCIDB, Originator Code: JAC, QMS Code:

Programme Title: BUSCONNECTS DUBLIN CORE BUS CORRIDORS INFRASTRUCTURE WORKS			
Drawing Title: LIFFEY VALLEY TO CITY CENTRE CORE BUS CORRIDOR SCHEME JUNCTION SYSTEMS DESIGN COLD CUT ROAD / CLOVERHILL ROAD JUNCTION			
Drawing File Name: BCIDB-JAC-TSM_SJ-0007_XX_00-DR-TR-0005	Sheet Number: 05 of 27	Status: A	Rev: M01

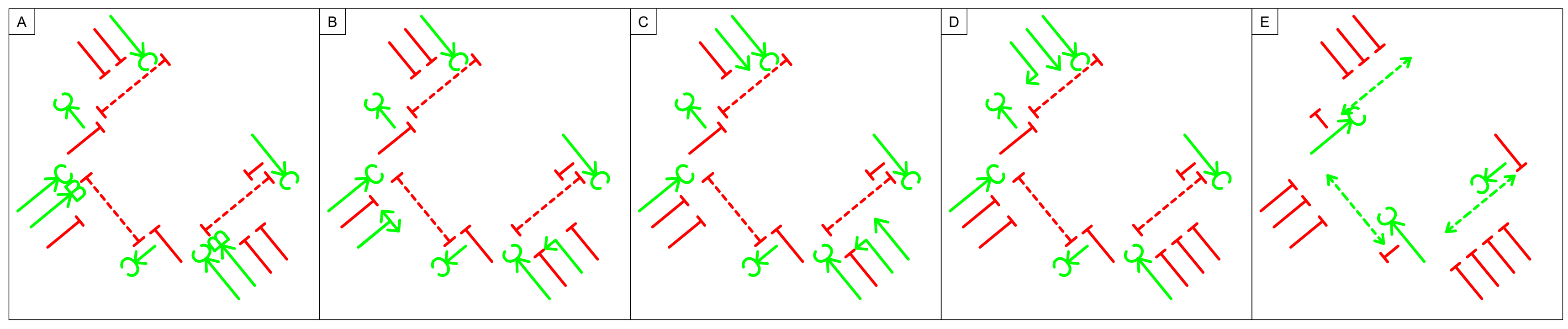
DO NOT SCALE USE FIGURED DIMENSIONS ONLY



- LEGEND:**
- TRAFFIC SIGNAL HEADS:**
- RTS 001 PRIMARY
 - RTS 001 SECONDARY
 - RTS 002(B) PRIMARY
 - RTS 002(B) SECONDARY
 - RTS 002(C) PRIMARY
 - RTS 002(C) SECONDARY
 - RTS 002(D) PRIMARY
 - RTS 002(D) SECONDARY
 - RTS 002(I) PRIMARY
 - RTS 002(I) SECONDARY
 - RTS 003(H) PRIMARY
 - RTS 003(H) SECONDARY
 - RTS 007 PRIMARY
 - RTS 007 (LOW LEVEL) PRIMARY
 - RPC 004 PEDESTRIAN HEAD
- TRAFFIC SIGNAL EQUIPMENT:**
- POLE (STANDARD HEIGHT)
 - TALL POLE (CCTV/TRAFFIC SIGNALS)
 - SMALL POLE
 - POLE NUMBER
 - PUSH BUTTON UNIT
 - PAN / TILT / ZOOM CCTV CAMERA
- GENERAL:**
- SITE BOUNDARY LINE
 - TEMPORARY LAND ACQUISITION



Indicative Method of Control



Disclaimer

a. © National Transport Authority (NTA) 2022. This drawing is confidential and the copyright in it is owned by NTA. This drawing must not be either loaned, copied or otherwise reproduced in whole or in part or used for any purpose without the prior permission of NTA.

b. This drawing is to be used for the design element identified in the titleblock. Other information shown is to be considered indicative only. The drawing is to be read in conjunction with all other relevant design drawings.

c. O.S. data used for plans are printed under © Ordnance Survey Ireland Government of Ireland. All rights reserved. Licence Number 2022/OSI_NMA_180 National Transport Authority. All elevations are in metres and relate to OSI Geoid Model (OSGM15) Malin Head. All Co-ordinates are in Irish Transverse Mercator Grid (ITM) as defined by OSI active local GPS station.

d. Information concerning the position of apparatus shown on this drawing is based on drawings supplied by the utility owners and/or the utility works contractor, whilst every care has been taken in the preparation of this drawing, positions should be taken as approximate and are intended for general guidance only and no representation is made by the NTA as to the accuracy, completeness, sufficiency or otherwise of this drawing and the position of the apparatus. The information contained herein does not purport to be comprehensive or final as the apparatus is subject to being altered and/or superceded. Recipients should not rely on this information. Any liabilities are hereby expressly disclaimed.

e. The information contained herein has been provided by the NTA but does not purport to be comprehensive or final. Recipients should not rely on the information. Neither the NTA nor any of its directors, officers, employees, agents, stakeholders or advisers make any representation or warranty as to, or accept any liability or responsibility in relation to, the adequacy, accuracy, reasonableness or completeness of the information provided as part of this document or any matter on which the information is based (including but not limited to loss or damage arising as a result of reliance by recipients on the information or any part of it). Any liabilities are hereby expressly disclaimed.

Rev	Date	Drn	Chk'd	App'd	Description
M01	07/06/2022	PT	KM	JB	ISSUE FOR PHASE 4: PLANNING

Client: **NTA**
Údarás Náisiúnta Iompair
National Transport Authority

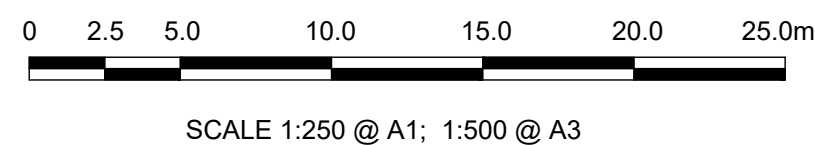
Engineering Designer: **Jacobs**

Date: 07/06/2022 | Scale: 1:250 @ A1, 1:500 @ A3 | Drawn: PT | Checked: KM | Approved: JB

Project Code: BCIDB | Originator Code: JAC | QMS Code:

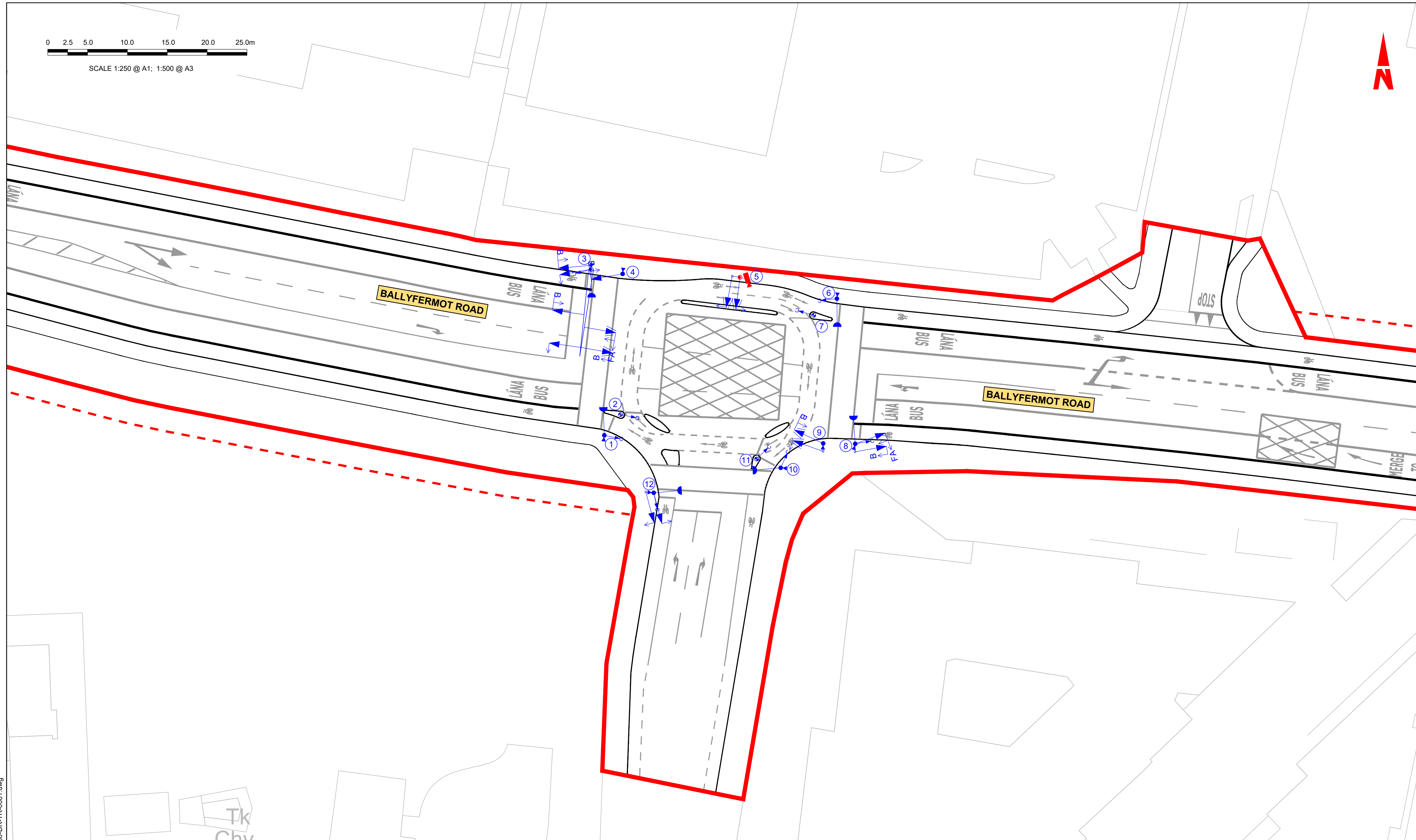
Programme Title: BUSCONNECTS DUBLIN CORE BUS CORRIDORS INFRASTRUCTURE WORKS			
Drawing Title: LIFFEY VALLEY TO CITY CENTRE CORE BUS CORRIDOR SCHEME JUNCTION SYSTEMS DESIGN			
Drawing File Name: BCIDB-JAC-TSM_SJ-0007_XX_00-DR-TR-0006			
Sheet Number: 06 of 27	Status: A	Rev: M01	

C:\pwworking\jacobs_uk_highways_ssa\legintl_caslehd0147657\BCIDB-JAC-TSM_SJ-0007_XX_00-DR-TR-0001.dwg



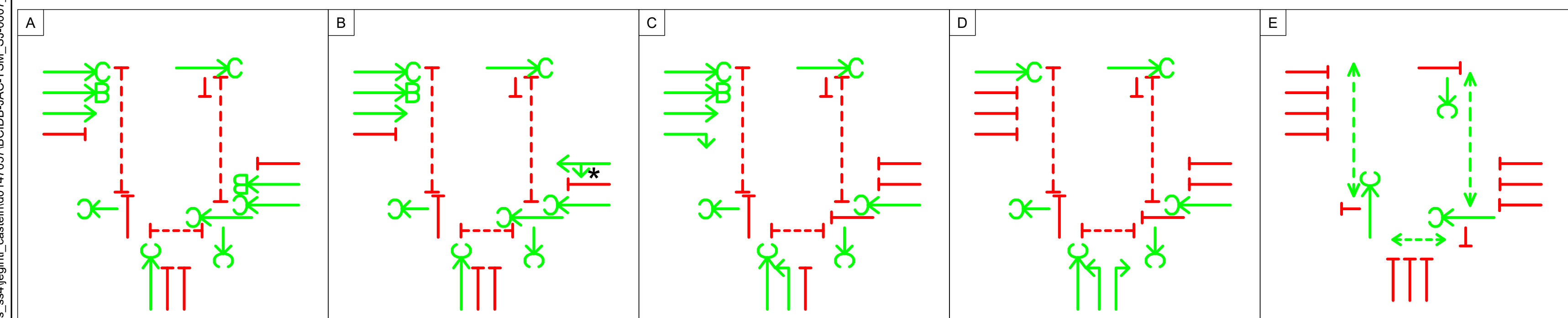
LEGEND:

TRAFFIC SIGNAL HEADS:	
	RTS 002(A) PRIMARY
	RTS 002(A) SECONDARY
	RTS 002(C) PRIMARY
	RTS 002(C) SECONDARY
	RTS 002(E) PRIMARY
	RTS 002(E) SECONDARY
	RTS 002(K) PRIMARY
	RTS 002(K) SECONDARY
	RTS 004(E) PRIMARY
	RTS 004(E) SECONDARY
	RTS 007 PRIMARY
	RTS 007 (LOW LEVEL) PRIMARY
	RPC 004 PEDESTRIAN HEAD
TRAFFIC SIGNAL EQUIPMENT:	
	POLE (STANDARD HEIGHT)
	TALL POLE (CCTV/TRAFFIC SIGNALS)
	SMALL POLE
	POLE NUMBER
	PUSH BUTTON UNIT
	PAN / TILT / ZOOM CCTV CAMERA
GENERAL:	
	SITE BOUNDARY LINE
	TEMPORARY LAND ACQUISITION



Indicative Method of Control

* denotes Flashing Amber



Disclaimer

a. © National Transport Authority (NTA) 2022. This drawing is confidential and the copyright in it is owned by NTA. This drawing must not be either loaned, copied or otherwise reproduced in whole or in part or used for any purpose without the prior permission of NTA.

b. This drawing is to be used for the design element identified in the titleblock. Other information shown is to be considered indicative only. The drawing is to be read in conjunction with all other relevant design drawings.

c. O.S. data used for plans are printed under © Ordnance Survey Ireland Government of Ireland. All rights reserved. Licence Number 2022/OSI_NMA_180 National Transport Authority. All elevations are in metres and relate to OSI Geoid Model (OSGM15) Mean Head. All Co-ordinates are in Irish Transverse Mercator Grid (ITM) as defined by OSI active local GPS station.

d. Information concerning the position of apparatus shown on this drawing is based on drawings supplied by the utility owners and/or the utility works contractor, whilst every care has been taken in the preparation of this drawing, positions should be taken as approximate and are intended for general guidance only and no representation is made by the NTA as to the accuracy, completeness, sufficiency or otherwise of this drawing and the position of the apparatus. The information contained herein does not purport to be comprehensive or final as the apparatus is subject to being altered and/or superceded. Recipients should not rely on this information. Any liabilities are hereby expressly disclaimed.

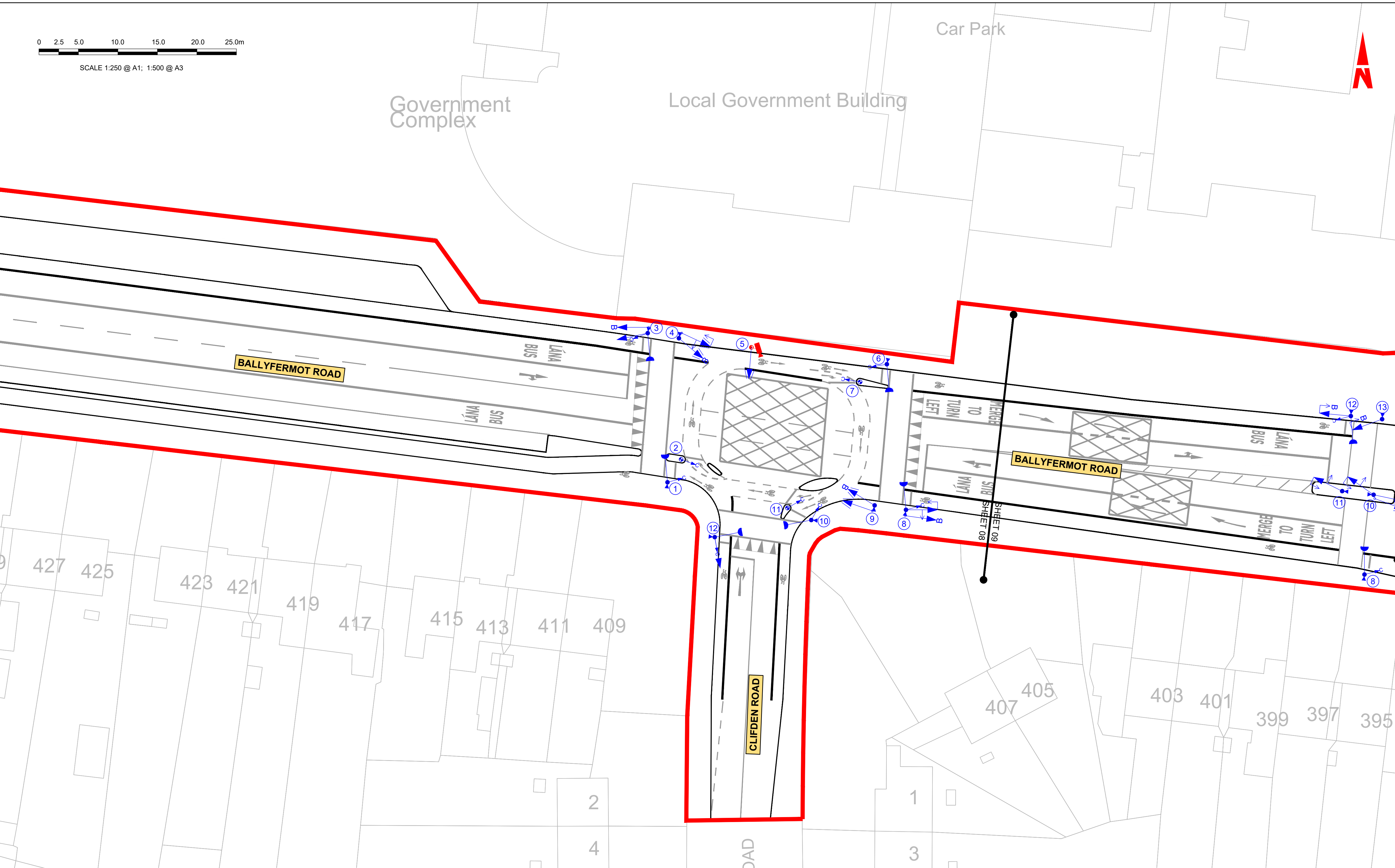
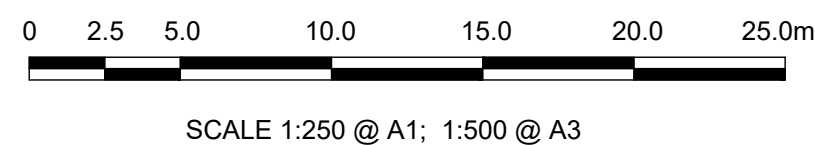
e. The information contained herein has been provided by the NTA but does not purport to be comprehensive or final. Recipients should not rely on the information. Neither the NTA nor any of its directors, officers, employees, agents, stakeholders or advisers make any representation or warranty as to, or accept any liability or responsibility in relation to, the adequacy, accuracy, reasonableness or completeness of the information provided as part of this document or any matter on which the information is based (including but not limited to loss or damage arising as a result of reliance by recipients on the information or any part of it). Any liabilities are hereby expressly disclaimed.

Rev	Date	Drn	Chk'd	App'd	Description
M01	07/06/2022	PT	KM	JB	ISSUE FOR PHASE 4: PLANNING

<p>Údarás Náisiúnta Iompair National Transport Authority</p>				
Date	Scale	Drawn	Checked	Approved
07/06/2022	1:250 @ A1 1:500 @ A3	PT	KM	JB
Project Code	Originator Code	QMS Code		
BCIDB	JAC			

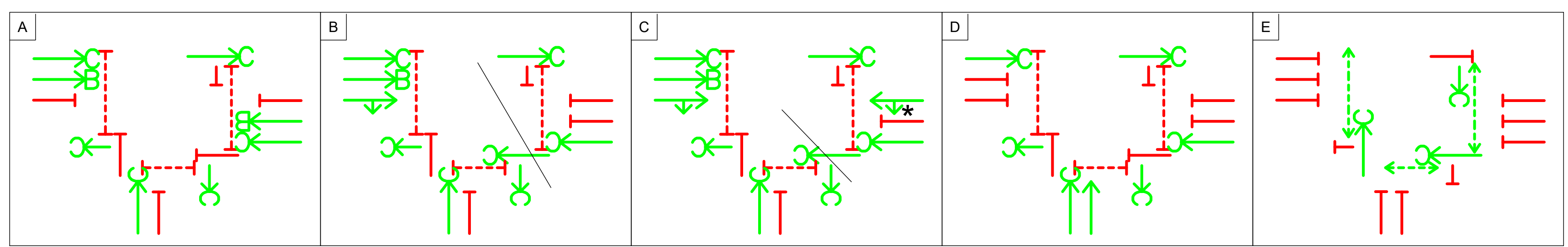
<p>Programme Title</p> <p>BUSCONNECTS DUBLIN CORE BUS CORRIDORS INFRASTRUCTURE WORKS</p>			
<p>Drawing Title</p> <p>LIFFEY VALLEY TO CITY CENTRE CORE BUS CORRIDOR SCHEME JUNCTION SYSTEMS DESIGN BALLYFERMOT ROAD / PRIMARY HEALTH CARE CENTRE JUNCTION</p>			
Drawing File Name	Sheet Number	Status	Rev
BCIDB-JAC-TSM_SJ-0007_XX_00-DR-TR-0007	07 of 27	A	M01

C:\pwworking\jacobs_uk_highways_ssa\legintl_cashehd0147657\BCIDB-JAC-TSM_SJ-0007_XX_00-DR-TR-0001.dwg



- LEGEND:**
- TRAFFIC SIGNAL HEADS:**
- RTS 001 PRIMARY
 - RTS 001 SECONDARY
 - RTS 002(D) PRIMARY
 - RTS 002(D) SECONDARY
 - RTS 003(H) PRIMARY
 - RTS 003(H) SECONDARY
 - RTS 007 (LOW LEVEL) PRIMARY
 - RPC 004 PEDESTRIAN HEAD
- TRAFFIC SIGNAL EQUIPMENT:**
- POLE (STANDARD HEIGHT)
 - TALL POLE (CCTV/TRAFFIC SIGNALS)
 - SMALL POLE
 - POLE NUMBER
 - PUSH BUTTON UNIT
 - PAN / TILT / ZOOM CCTV CAMERA
- GENERAL:**
- SITE BOUNDARY LINE
 - TEMPORARY LAND ACQUISITION

Indicative Method of Control * denotes Flashing Amber



Disclaimer

a. © National Transport Authority (NTA) 2022. This drawing is confidential and the copyright in it is owned by NTA. This drawing must not be either loaned, copied or otherwise reproduced in whole or in part or used for any purpose without the prior permission of NTA.

b. This drawing is to be used for the design element identified in the titleblock. Other information shown is to be considered indicative only. The drawing is to be read in conjunction with all other relevant design drawings.

c. O.S. data used for plans are printed under © Ordnance Survey Ireland Government of Ireland. All rights reserved. Licence Number 2022/OSI_NMA_180 National Transport Authority. All elevations are in metres and relate to OSI Geoid Model (OSGM15) Mean Head. All Co-ordinates are in Irish

Transverse Mercator Grid (ITM) as defined by OSI active local GPS station.

d. Information concerning the position of apparatus shown on this drawing is based on drawings supplied by the utility owners and/or the utility works contractor, whilst every care has been taken in the preparation of this drawing, positions should be taken as approximate and are intended for general guidance only and no representation is made by the NTA as to the accuracy, completeness, sufficiency or otherwise of this drawing and the position of the apparatus. The information contained herein does not purport to be comprehensive or final as the apparatus is subject to being altered and/or superceded. Recipients should not rely on this information. Any liabilities are hereby expressly disclaimed.

e. The information contained herein has been provided by the NTA but does not purport to be comprehensive or final. Recipients should not rely on the information. Neither the NTA nor any of its directors, officers, employees, agents, stakeholders or advisers make any representation or warranty as to, or accept any liability or responsibility in relation to, the adequacy, accuracy, reasonableness or completeness of the information provided as part of this document or any matter on which the information is based (including but not limited to loss or damage arising as a result of reliance by recipients on the information or any part of it). Any liabilities are hereby expressly disclaimed.



Rev	Date	Drn	Chk'd	App'd	Description
M01	07/06/2022	PT	KM	JB	ISSUE FOR PHASE 4: PLANNING

Client: **NTA** Údarás Náisiúnta Iompair National Transport Authority

Engineering Designer: **Jacobs**

Date: 07/06/2022 Scale: 1:250 @ A1, 1:500 @ A3

Project Code: BCIDB Originator Code: JAC

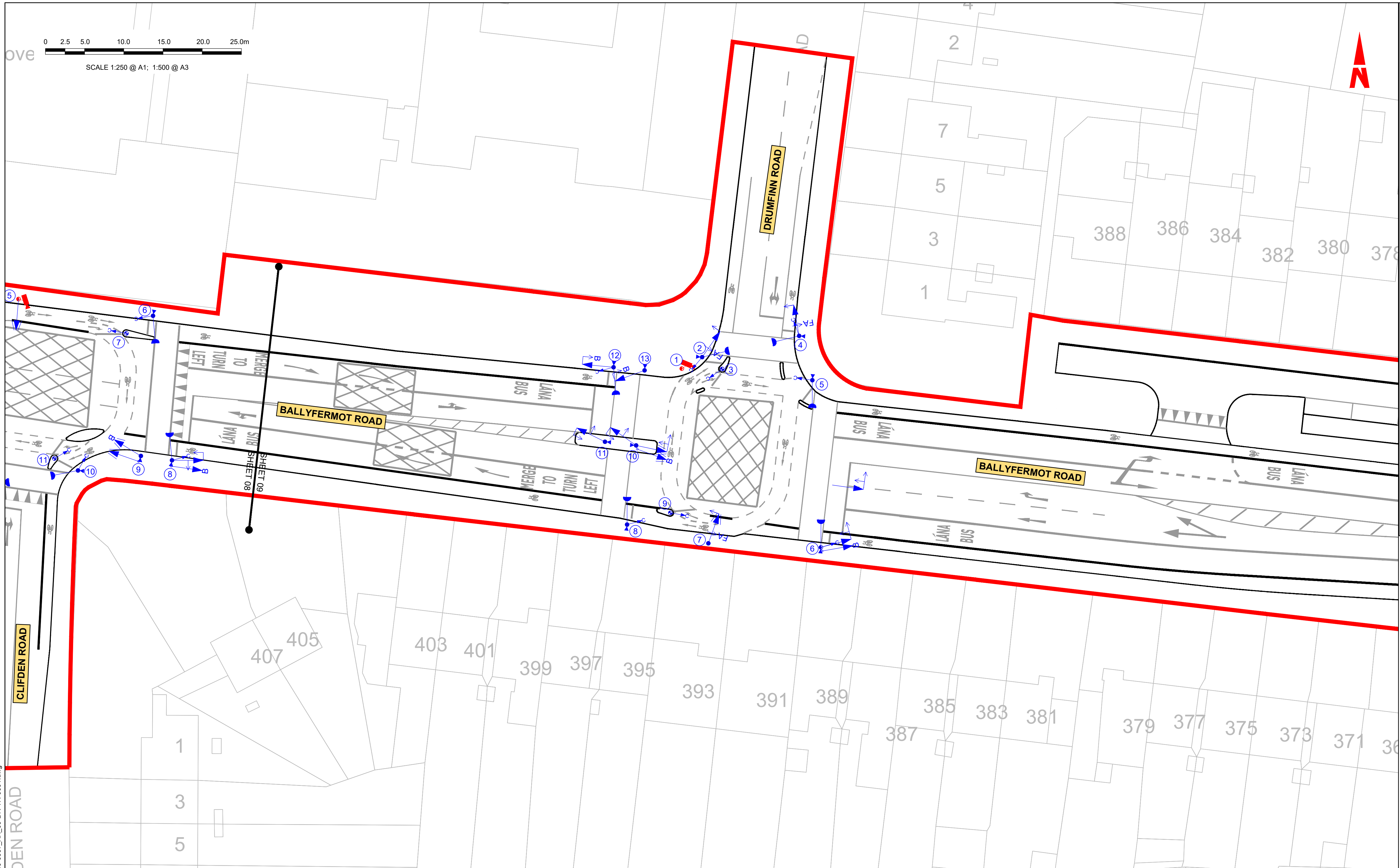
Drawn: PT Checked: KM Approved: JB

QMS Code:

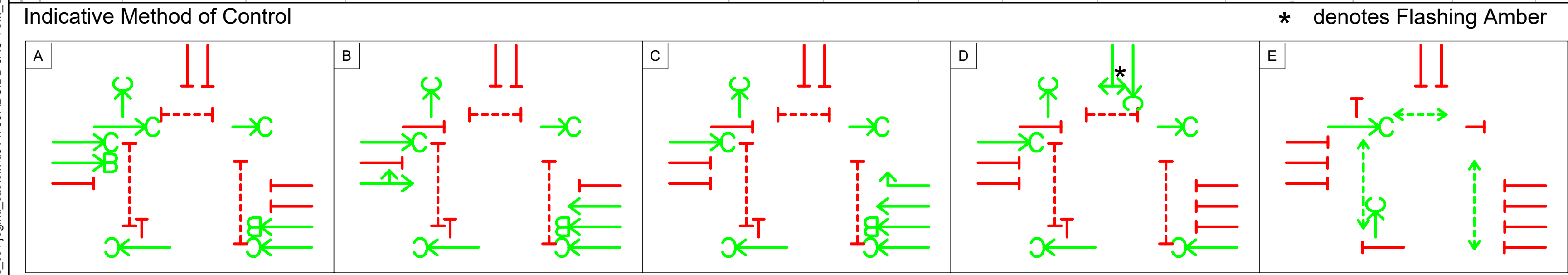
Programme Title: BUSCONNECTS DUBLIN CORE BUS CORRIDORS INFRASTRUCTURE WORKS			
Drawing Title: LIFFEY VALLEY TO CITY CENTRE CORE BUS CORRIDOR SCHEME JUNCTION SYSTEMS DESIGN BALLYFERMOT ROAD / CLIFDEN ROAD JUNCTION			
Drawing File Name: BCIDB-JAC-TSM_SJ-0007_XX_00-DR-TR-0008	Sheet Number: 08 of 27	Status: A	Rev: M01

DO NOT SCALE USE FIGURED DIMENSIONS ONLY

C:\pwworking\jacobs_uk_highways_ssa\legintl_caslehd0147657\BCIDB-JAC-TSM_SJ-0007_XX_00-DR-TR-0001.dwg



- LEGEND:**
- TRAFFIC SIGNAL HEADS:**
- RTS 002(D) PRIMARY
 - RTS 002(D) SECONDARY
 - RTS 002(E) PRIMARY
 - RTS 003(A) PRIMARY
 - RTS 003(A) SECONDARY
 - RTS 003(H) PRIMARY
 - RTS 004(I) PRIMARY
 - RTS 004(I) SECONDARY
 - RTS 007 (LOW LEVEL) PRIMARY
 - RPC 004 PEDESTRIAN HEAD
- TRAFFIC SIGNAL EQUIPMENT:**
- POLE (STANDARD HEIGHT)
 - TALL POLE (CCTV/TRAFFIC SIGNALS)
 - SMALL POLE
 - POLE NUMBER
 - PUSH BUTTON UNIT
 - PAN / TILT / ZOOM CCTV CAMERA
- GENERAL:**
- SITE BOUNDARY LINE
 - TEMPORARY LAND ACQUISITION



Disclaimer

a. © National Transport Authority (NTA) 2022. This drawing is confidential and the copyright in it is owned by NTA. This drawing must not be either loaned, copied or otherwise reproduced in whole or in part or used for any purpose without the prior permission of NTA.

b. This drawing is to be used for the design element identified in the titleblock. Other information shown is to be considered indicative only. The drawing is to be read in conjunction with all other relevant design drawings.

c. O.S. data used for plans are printed under © Ordnance Survey Ireland Government of Ireland. All rights reserved. Licence Number 2022/OSI_NMA_180 National Transport Authority. All elevations are in metres and relate to OSI Geoid Model (OSGM15) Mean Head. All Co-ordinates are in Irish Transverse Mercator Grid (ITM) as defined by OSI active local GPS station.

d. Information concerning the position of apparatus shown on this drawing is based on drawings supplied by the utility owners and/or the utility works contractor, whilst every care has been taken in the preparation of this drawing, positions should be taken as approximate and are intended for general guidance only and no representation is made by the NTA as to the accuracy, completeness, sufficiency or otherwise of this drawing and the position of the apparatus. The information contained herein does not purport to be comprehensive or final as the apparatus is subject to being altered and/or superseded. Recipients should not rely on this information. Any liabilities are hereby expressly disclaimed.

e. The information contained herein has been provided by the NTA but does not purport to be comprehensive or final. Recipients should not rely on the information. Neither the NTA nor any of its directors, officers, employees, agents, stakeholders or advisers make any representation or warranty as to, or accept any liability or responsibility in relation to, the adequacy, accuracy, reasonableness or completeness of the information provided as part of this document or any matter on which the information is based (including but not limited to loss or damage arising as a result of reliance by recipients on the information or any part of it). Any liabilities are hereby expressly disclaimed.



Rev	Date	Drn	Chk'd	App'd	Description
M01	07/06/2022	PT	KM	JB	ISSUE FOR PHASE 4: PLANNING

Client: **NTA**
Údarás Náisiúnta Iompair
National Transport Authority

Engineering Designer: **Jacobs**

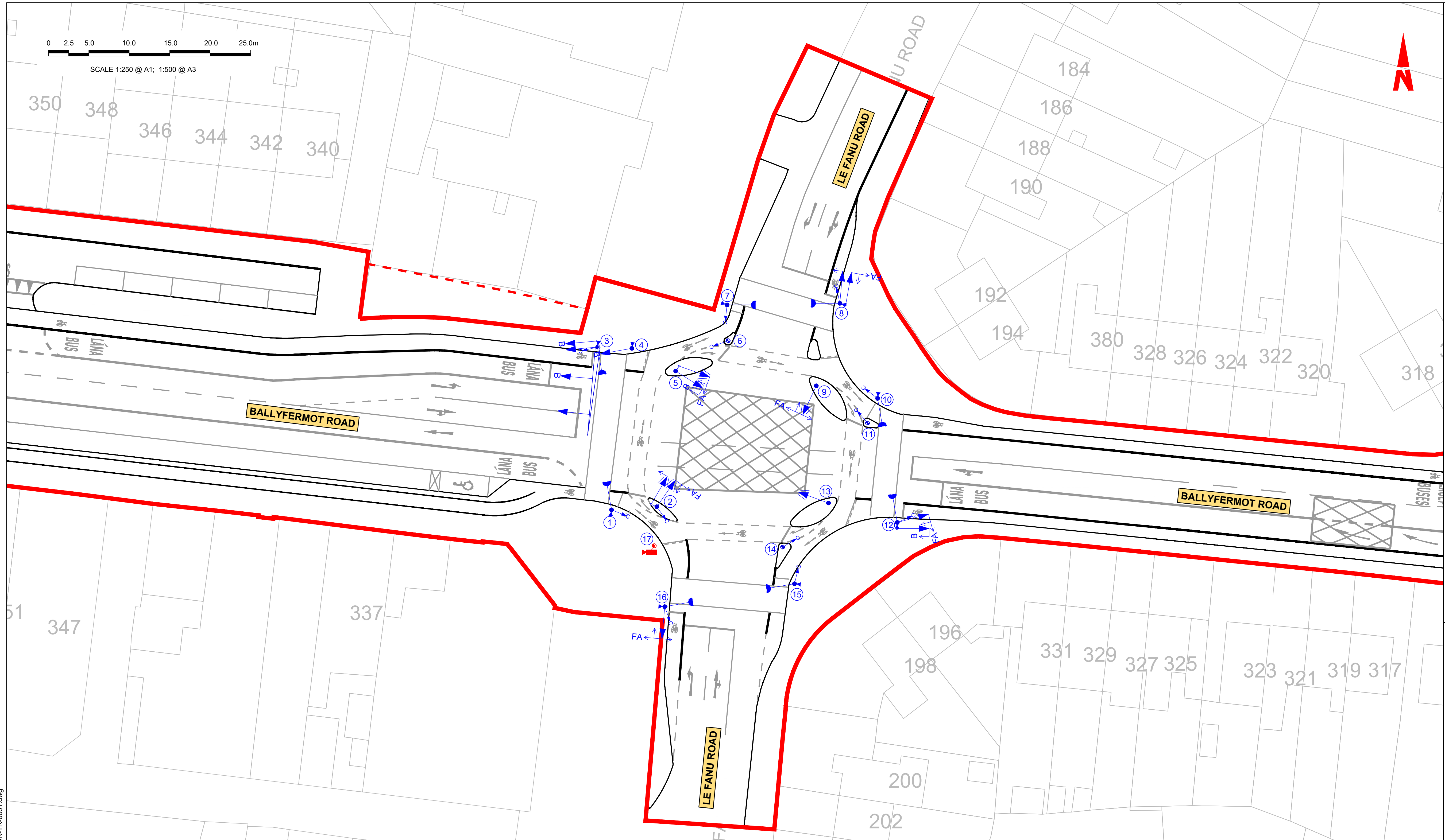
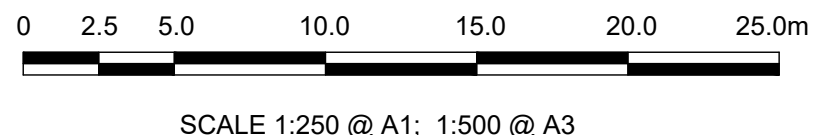
Date: 07/06/2022 | Scale: 1:250 @ A1, 1:500 @ A3 | Drawn: PT | Checked: KM | Approved: JB

Project Code: BCIDB | Originator Code: JAC | QMS Code:

Programme Title: BUSCONNECTS DUBLIN CORE BUS CORRIDORS INFRASTRUCTURE WORKS			
Drawing Title: LIFFEY VALLEY TO CITY CENTRE CORE BUS CORRIDOR SCHEME JUNCTION SYSTEMS DESIGN BALLYFERMOT ROAD / DRUMFINN ROAD JUNCTION			
Drawing File Name: BCIDB-JAC-TSM_SJ-0007_XX_00-DR-TR-0009	Sheet Number: 09 of 27	Status: A	Rev: M01

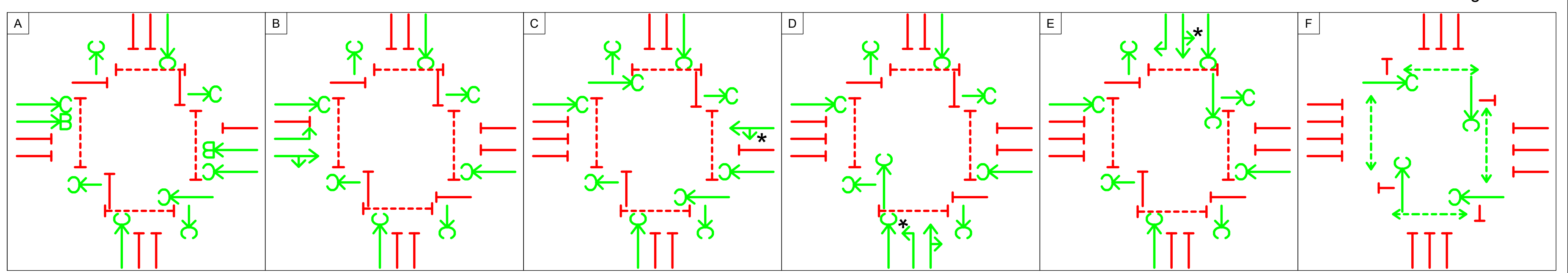
DO NOT SCALE USE FIGURED DIMENSIONS ONLY

C:\pwworking\jacobs_uk_highways_ss4\legintl_castlehd0147657\BCIDB-JAC-TSM_SJ-0007_XX_00-DR-TR-0001.dwg



- LEGEND:**
- TRAFFIC SIGNAL HEADS:**
- RTS 001 PRIMARY
 - RTS 001 SECONDARY
 - RTS 002(C) PRIMARY
 - RTS 002(C) SECONDARY
 - RTS 002(D) PRIMARY
 - RTS 002(E) PRIMARY
 - RTS 002(E) SECONDARY
 - RTS 004(D) PRIMARY
 - RTS 004(D) SECONDARY
 - RTS 004(E) PRIMARY
 - RTS 004(E) SECONDARY
 - RTS 007 (LOW LEVEL) PRIMARY
 - RPC 004 PEDESTRIAN HEAD
- TRAFFIC SIGNAL EQUIPMENT:**
- POLE (STANDARD HEIGHT)
 - TALL POLE (CCTV/TRAFFIC SIGNALS)
 - SMALL POLE
 - POLE NUMBER
 - PUSH BUTTON UNIT
 - PAN / TILT / ZOOM CCTV CAMERA
- GENERAL:**
- SITE BOUNDARY LINE
 - TEMPORARY LAND ACQUISITION

Indicative Method of Control



Disclaimer

a. © National Transport Authority (NTA) 2022. This drawing is confidential and the copyright in it is owned by NTA. This drawing must not be either loaned, copied or otherwise reproduced in whole or in part or used for any purpose without the prior permission of NTA.

b. This drawing is to be used for the design element identified in the titleblock. Other information shown is to be considered indicative only. The drawing is to be read in conjunction with all other relevant design drawings.

c. O.S. data used for plans are printed under © Ordnance Survey Ireland Government of Ireland. All rights reserved. Licence Number 2022/OSI_NMA_180 National Transport Authority. All elevations are in metres and relate to OSI Geoid Model (OSGM15) Mean Head. All Co-ordinates are in Irish Transverse Mercator Grid (ITM) as defined by OSI active local GPS station.

d. Information concerning the position of apparatus shown on this drawing is based on drawings supplied by the utility owners and/or the utility works contractor, whilst every care has been taken in the preparation of this drawing, positions should be taken as approximate and are intended for general guidance only and no representation is made by the NTA as to the accuracy, completeness, sufficiency or otherwise of this drawing and the position of the apparatus. The information contained herein does not purport to be comprehensive or final as the apparatus is subject to being altered and/or superseded. Recipients should not rely on this information. Any liabilities are hereby expressly disclaimed.

e. The information contained herein has been provided by the NTA but does not purport to be comprehensive or final. Recipients should not rely on the information. Neither the NTA nor any of its directors, officers, employees, agents, stakeholders or advisers make any representation or warranty as to, or accept any liability or responsibility in relation to, the adequacy, accuracy, reasonableness or completeness of the information provided as part of this document or any matter on which the information is based (including but not limited to loss or damage arising as a result of reliance by recipients on the information or any part of it). Any liabilities are hereby expressly disclaimed.



Rev	Date	Drn	Chk'd	App'd	Description
M01	07/06/2022	PT	KM	JB	ISSUE FOR PHASE 4: PLANNING

Client: **NTA**
Údarás Náisiúnta Iompair
National Transport Authority

Engineering Designer: **Jacobs**

Date: 07/06/2022 | Scale: 1:250 @ A1, 1:500 @ A3 | Drawn: PT | Checked: KM | Approved: JB

Project Code: BCIDB | Originator Code: JAC | QMS Code:

Programme Title: **BUSCONNECTS DUBLIN**
CORE BUS CORRIDORS INFRASTRUCTURE WORKS

Drawing Title: LIFFEY VALLEY TO CITY CENTRE CORE BUS CORRIDOR SCHEME
JUNCTION SYSTEMS DESIGN
BALLYFERMOT ROAD / LE FANU ROAD JUNCTION

Drawing File Name: BCIDB-JAC-TSM_SJ-0007_XX_00-DR-TR-0010 | Sheet Number: 10 of 27 | Status: A | Rev: M01

C:\pwworking\jacobs_uk_highways_ss4\legintl_caslehd0147657\BCIDB-JAC-TSM_SJ-0007_XX_00-DR-TR-0001.dwg

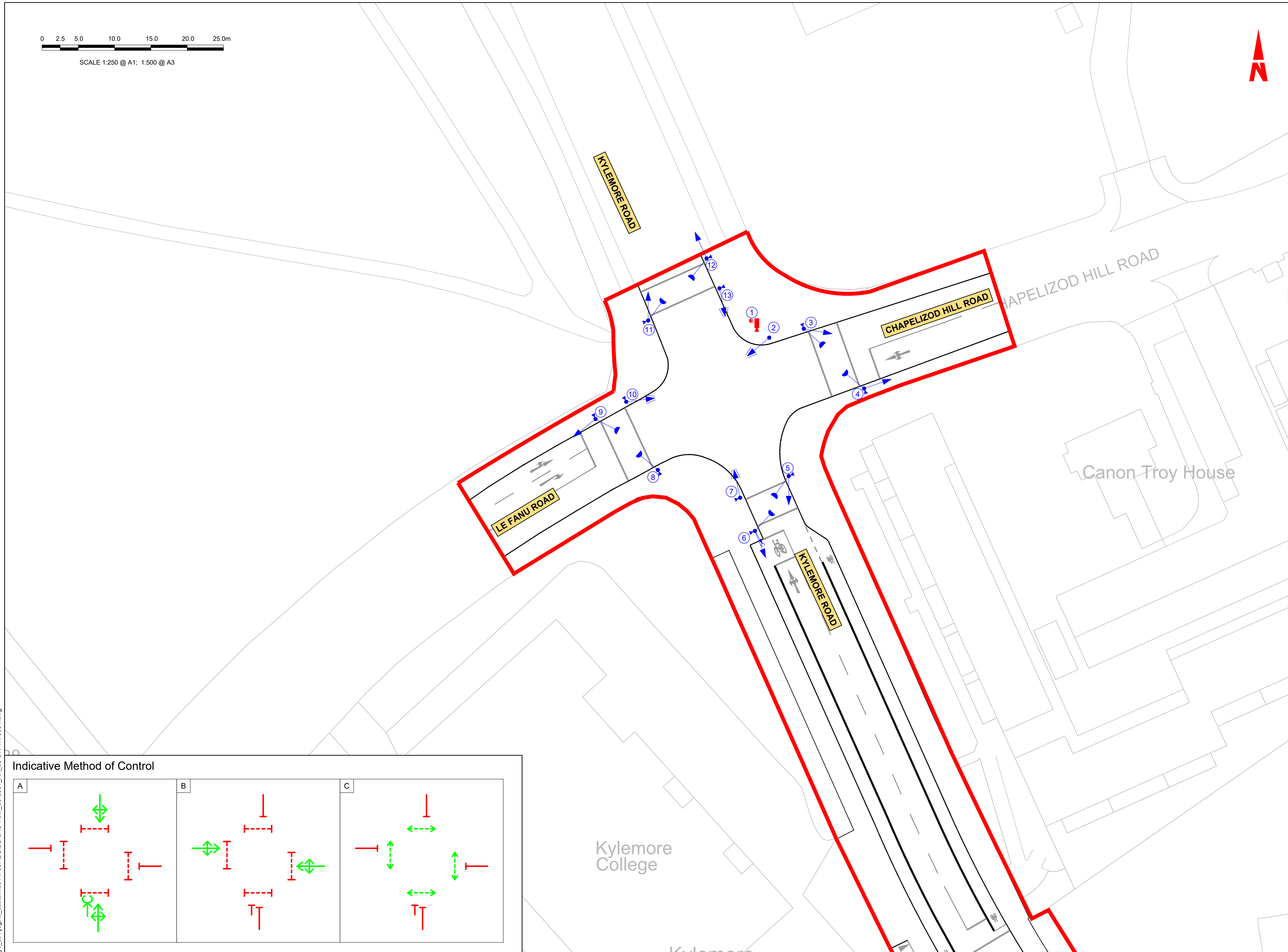


SCALE 1:250 @ A1; 1:500 @ A3



LEGEND:

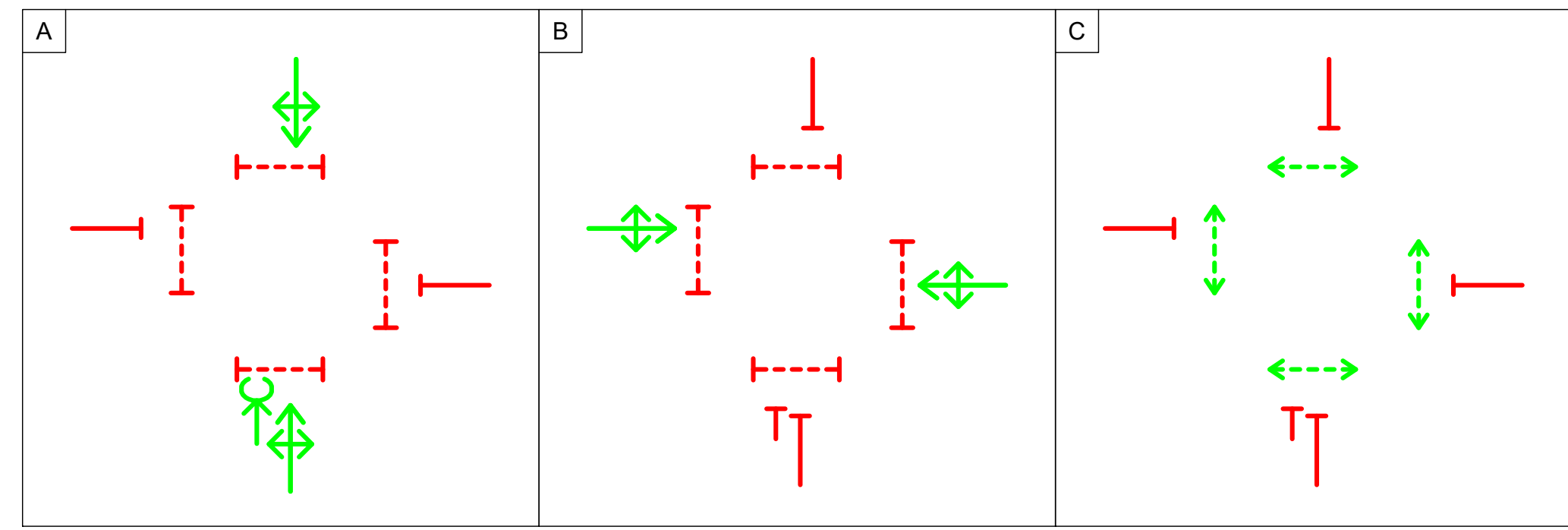
- TRAFFIC SIGNAL HEADS:**
- RTS 001 PRIMARY
 - RTS 001 SECONDARY
 - RTS 007 (LOW LEVEL) PRIMARY
 - RPC 004 PEDESTRIAN HEAD
- TRAFFIC SIGNAL EQUIPMENT:**
- POLE (STANDARD HEIGHT)
 - TALL POLE (CCTV/TRAFFIC SIGNALS)
 - SMALL POLE
 - POLE NUMBER
 - PUSH BUTTON UNIT
 - PAN / TILT / ZOOM CCTV CAMERA
- GENERAL:**
- SITE BOUNDARY LINE
 - TEMPORARY LAND ACQUISITION



Canon Troy House

Kylemore College

Indicative Method of Control



Disclaimer

a. © National Transport Authority (NTA) 2022. This drawing is confidential and the copyright in it is owned by NTA. This drawing must not be either loaned, copied or otherwise reproduced in whole or in part or used for any purpose without the prior permission of NTA.

b. This drawing is to be used for the design element identified in the titleblock. Other information shown is to be considered indicative only. The drawing is to be read in conjunction with all other relevant design drawings.

c. O.S. data used for plans are printed under © Ordnance Survey Ireland Government of Ireland. All rights reserved. Licence Number 2022/OSI_NMA_180 National Transport Authority. All elevations are in metres and relate to OSI Geoid Model (OSGM15) Mean Head. All Co-ordinates are in Irish Transverse Mercator Grid (ITM) as defined by OSI active local GPS station.

d. Information concerning the position of apparatus shown on this drawing is based on drawings supplied by the utility owners and/or the utility works contractor, whilst every care has been taken in the preparation of this drawing, positions should be taken as approximate and are intended for general guidance only and no representation is made by the NTA as to the accuracy, completeness, sufficiency or otherwise of this drawing and the position of the apparatus. The information contained herein does not purport to be comprehensive or final as the apparatus is subject to being altered and/or superceded. Recipients should not rely on this information. Any liabilities are hereby expressly disclaimed.

e. The information contained herein has been provided by the NTA but does not purport to be comprehensive or final. Recipients should not rely on the information. Neither the NTA nor any of its directors, officers, employees, agents, stakeholders or advisers make any representation or warranty as to, or accept any liability or responsibility in relation to, the adequacy, accuracy, reasonableness or completeness of the information provided as part of this document or any matter on which the information is based (including but not limited to loss or damage arising as a result of reliance by recipients on the information or any part of it). Any liabilities are hereby expressly disclaimed.

Rev	Date	Drn	Chk'd	App'd	Description
M01	07/06/2022	PT	KM	JB	ISSUE FOR PHASE 4: PLANNING

Client: **NTA**
Údarás Náisiúnta Iompair
National Transport Authority

Engineering Designer: **Jacobs**

Date: 07/06/2022 | Scale: 1:250 @ A1, 1:500 @ A3 | Drawn: PT | Checked: KM | Approved: JB

Project Code: BCIDB | Originator Code: JAC | QMS Code:

Programme Title: BUSCONNECTS DUBLIN CORE BUS CORRIDORS INFRASTRUCTURE WORKS			
Drawing Title: LIFFEY VALLEY TO CITY CENTRE CORE BUS CORRIDOR SCHEME JUNCTION SYSTEMS DESIGN LE FANU / KYLEMORE ROAD / CHAPELIZOD HILL JUNCTION			
Drawing File Name: BCIDB-JAC-TSM_SJ-0007_XX_00-DR-TR-0011	Sheet Number: 11 of 27	Status: A	Rev: M01

DO NOT SCALE USE FIGURED DIMENSIONS ONLY

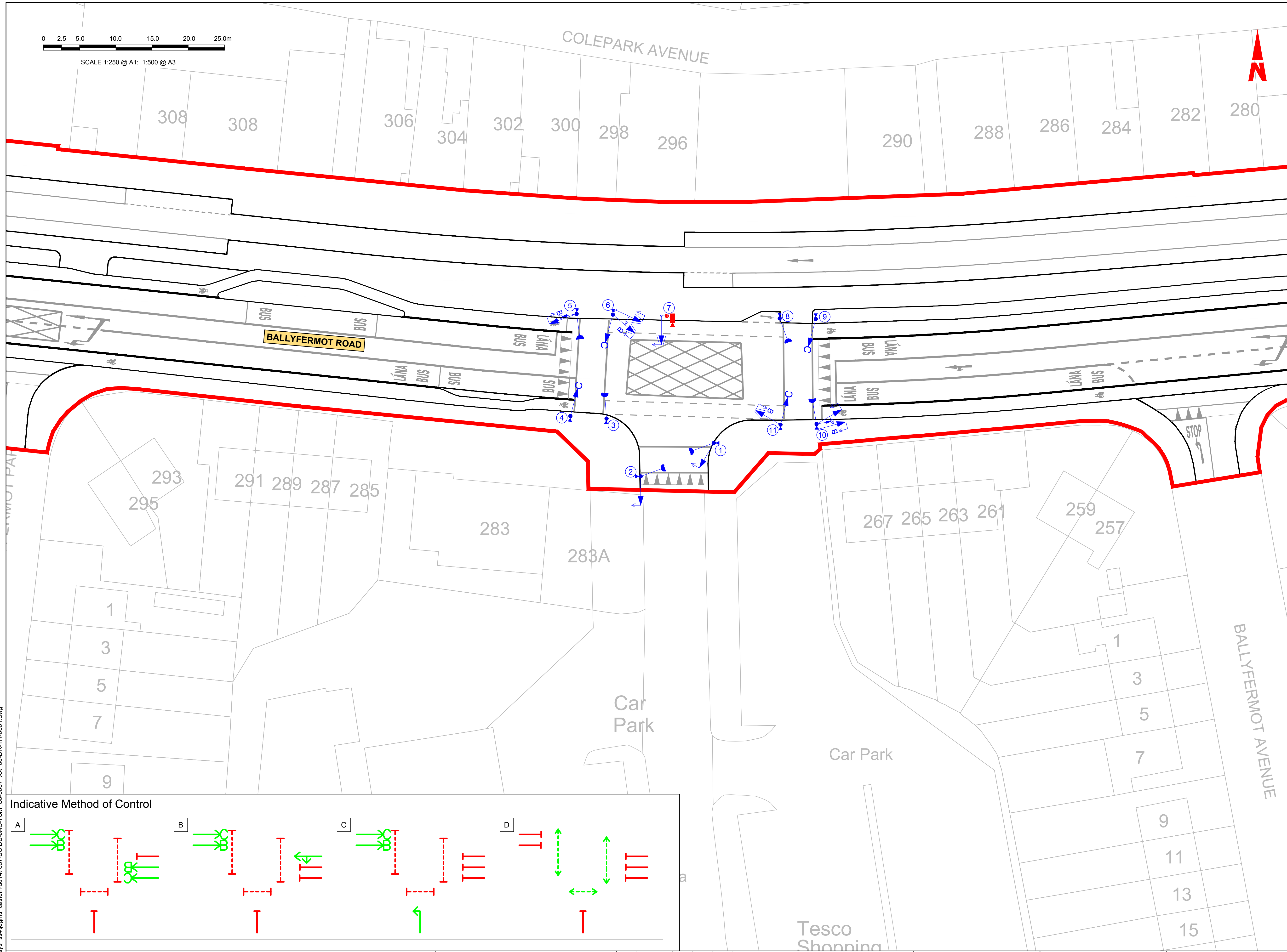
C:\pwworking\jacobs_uk_highways_ssa\legintl_caslelhd0147657\BCIDB-JAC-TSM_SJ-0007_XX_00-DR-TR-0001.dwg



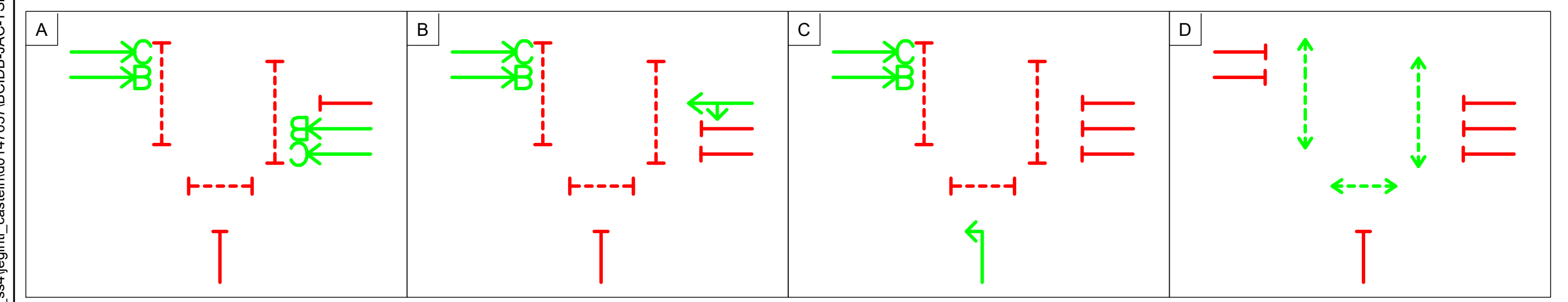
SCALE 1:250 @ A1; 1:500 @ A3

LEGEND:

- TRAFFIC SIGNAL HEADS:**
- RTS 002(A) PRIMARY
 - RTS 002(A) SECONDARY
 - RTS 002(E) PRIMARY
 - RTS 002(E) SECONDARY
 - RTS 003(H) PRIMARY
 - RTS 003(H) SECONDARY
 - RTS 007 PRIMARY
 - RTS 007 (LOW LEVEL) PRIMARY
 - RPC 004 PEDESTRIAN HEAD
- TRAFFIC SIGNAL EQUIPMENT:**
- POLE (STANDARD HEIGHT)
 - TALL POLE (CCTV/TRAFFIC SIGNALS)
 - SMALL POLE
 - POLE NUMBER
 - PUSH BUTTON UNIT
 - PAN / TILT / ZOOM CCTV CAMERA
- GENERAL:**
- SITE BOUNDARY LINE
 - TEMPORARY LAND ACQUISITION



Indicative Method of Control



Disclaimer
 a. © National Transport Authority (NTA) 2022. This drawing is confidential and the copyright in it is owned by NTA. This drawing must not be either loaned, copied or otherwise reproduced in whole or in part or used for any purpose without the prior permission of NTA.
 b. This drawing is to be used for the design element identified in the titlebox. Other information shown is to be considered indicative only. The drawing is to be read in conjunction with all other relevant design drawings.
 c. O.S. data used for plans are printed under © Ordnance Survey Ireland Government of Ireland. All rights reserved. Licence Number 2022/OSI_NMA_180 National Transport Authority. All elevations are in metres and relate to OSI Geoid Model (OSGM15) Mean Head. All Co-ordinates are in Irish

Transverse Mercator Grid (ITM) as defined by OSI active local GPS station.
 d. Information concerning the position of apparatus shown on this drawing is based on drawings supplied by the utility owners and/or the utility works contractor, whilst every care has been taken in the preparation of this drawing, positions should be taken as approximate and are intended for general guidance only and no representation is made by the NTA as to the accuracy, completeness, sufficiency or otherwise of this drawing and the position of the apparatus. The information contained herein does not purport to be comprehensive or final as the apparatus is subject to being altered and/or superceded. Recipients should not rely on this information. Any liabilities are hereby expressly disclaimed.

Project Ireland 2040
 Building Ireland's Future

Rev	Date	Drn	Chk'd	App'd	Description
M01	07/06/2022	PT	KM	JB	ISSUE FOR PHASE 4: PLANNING

Client: **NTA**
 Údarás Náisiúnta Iompair
 National Transport Authority

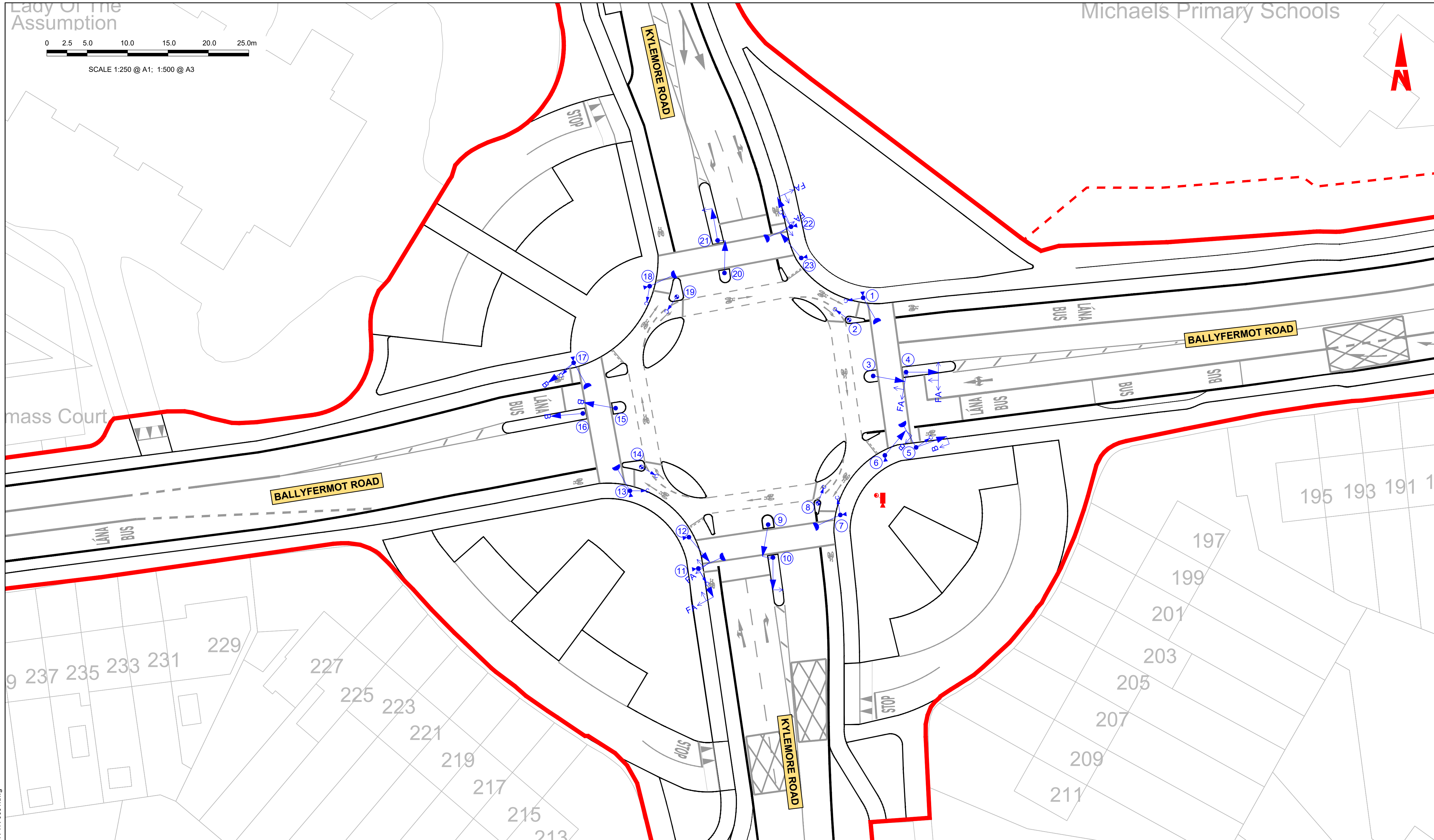
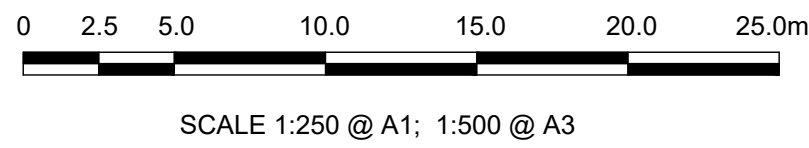
Engineering Designer: **Jacobs**

Date	Scale	Drawn	Checked	Approved
07/06/2022	1:250 @ A1 1:500 @ A3	PT	KM	JB

Project Code: BCIDB | Originator Code: JAC | QMS Code:

Programme Title: BUSCONNECTS DUBLIN CORE BUS CORRIDORS INFRASTRUCTURE WORKS			
Drawing Title: LIFFEY VALLEY TO CITY CENTRE CORE BUS CORRIDOR SCHEME JUNCTION SYSTEMS DESIGN BALLYFERMOT ROAD / COMMERCIAL CENTRE JUNCTION			
Drawing File Name: BCIDB-JAC-TSM_SJ-0007_XX_00-DR-TR-0012	Sheet Number: 12 of 27	Status: A	Rev: M01

C:\pwworking\jacobs_uk_highways_ssa\legintl_caslehd0147657\BCIDB-JAC-TSM_SJ-0007_XX_00-DR-TR-0001.dwg



LEGEND:

TRAFFIC SIGNAL HEADS:

- RTS 002(C) PRIMARY
- RTS 002(D) PRIMARY
- RTS 002(E) PRIMARY
- RTS 004(D) PRIMARY
- RTS 004(E) PRIMARY
- RTS 007 (LOW LEVEL) PRIMARY
- RPC 004 PEDESTRIAN HEAD

TRAFFIC SIGNAL EQUIPMENT:

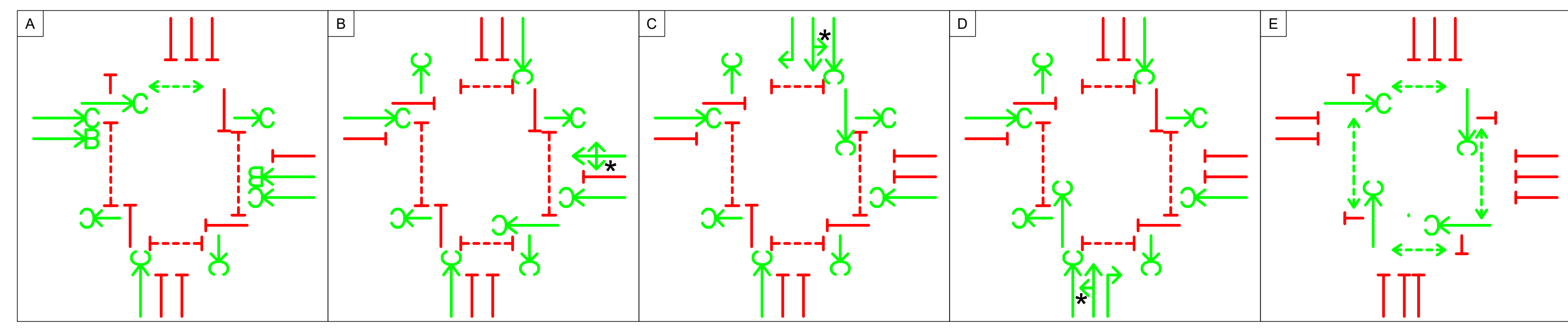
- POLE (STANDARD HEIGHT)
- TALL POLE (CCTV/TRAFFIC SIGNALS)
- SMALL POLE
- POLE NUMBER
- PUSH BUTTON UNIT
- PAN / TILT / ZOOM CCTV CAMERA

GENERAL:

- SITE BOUNDARY LINE
- TEMPORARY LAND ACQUISITION

Indicative Method of Control

* denotes Flashing Amber



Disclaimer

a. © National Transport Authority (NTA) 2022. This drawing is confidential and the copyright in it is owned by NTA. This drawing must not be either loaned, copied or otherwise reproduced in whole or in part or used for any purpose without the prior permission of NTA.

b. This drawing is to be used for the design element identified in the titlebox. Other information shown is to be considered indicative only. The drawing is to be read in conjunction with all other relevant design drawings.

c. O.S. data used for plans are printed under © Ordnance Survey Ireland Government of Ireland. All rights reserved. Licence Number 2022/OSI_NMA_180 National Transport Authority. All elevations are in metres and relate to OSI Geoid Model (OSGM15) Mean Head. All Co-ordinates are in Irish Transverse Mercator Grid (ITM) as defined by OSI active local GPS station.

d. Information concerning the position of apparatus shown on this drawing is based on drawings supplied by the utility owners and/or the utility works contractor, whilst every care has been taken in the preparation of this drawing, positions should be taken as approximate and are intended for general guidance only and no representation is made by the NTA as to the accuracy, completeness, sufficiency or otherwise of this drawing and the position of the apparatus. The information contained herein does not purport to be comprehensive or final as the apparatus is subject to being altered and/or superceded. Recipients should not rely on this information. Any liabilities are hereby expressly disclaimed.

e. The information contained herein has been provided by the NTA but does not purport to be comprehensive or final. Recipients should not rely on the information. Neither the NTA nor any of its directors, officers, employees, agents, stakeholders or advisers make any representation or warranty as to, or accept any liability or responsibility in relation to, the adequacy, accuracy, reasonableness or completeness of the information provided as part of this document or any matter on which the information is based (including but not limited to loss or damage arising as a result of reliance by recipients on the information or any part of it). Any liabilities are hereby expressly disclaimed.



Rev	Date	Dwn	Chk'd	App'd	Description
M01	07/06/2022	PT	KM	JB	ISSUE FOR PHASE 4: PLANNING

Client: **NTA** Údarás Náisiúnta Iompair National Transport Authority

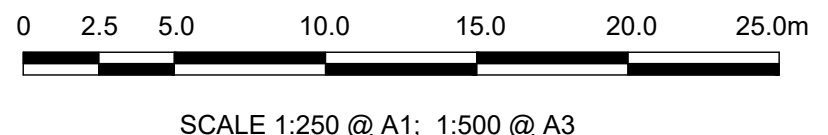
Engineering Designer: **Jacobs**

Date	Scale	Drawn	Checked	Approved
07/06/2022	1:250 @ A1 1:500 @ A3	PT	KM	JB

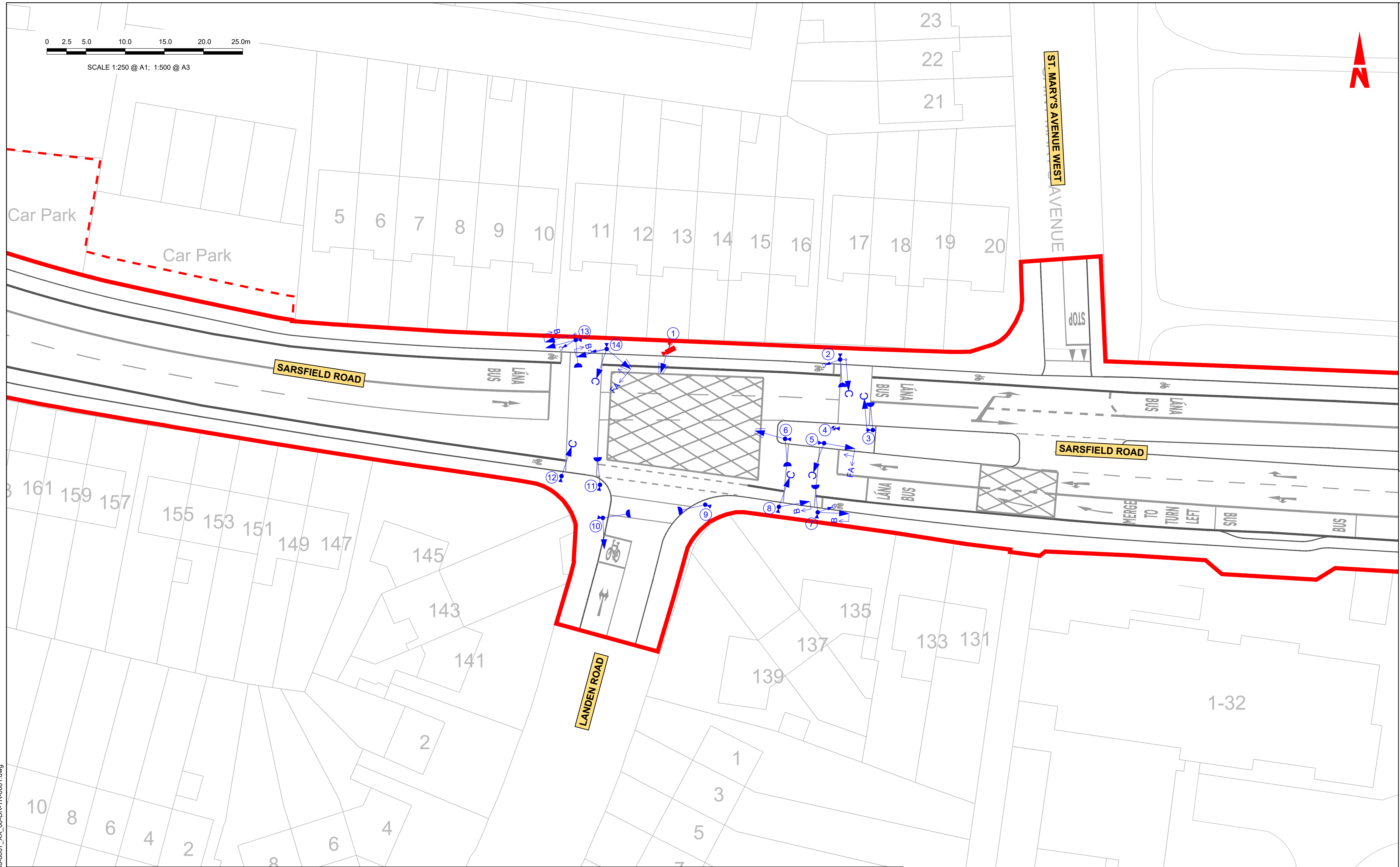
Project Code: BCIDB | Originator Code: JAC | QMS Code:

Programme Title: BUSCONNECTS DUBLIN CORE BUS CORRIDORS INFRASTRUCTURE WORKS			
Drawing Title: LIFFEY VALLEY TO CITY CENTRE CORE BUS CORRIDOR SCHEME JUNCTION SYSTEMS DESIGN BALLYFERMOT ROAD / KYLEMORE ROAD JUNCTION			
Drawing File Name: BCIDB-JAC-TSM_SJ-0007_XX_00-DR-TR-0013	Sheet Number: 13 of 27	Status: A	Rev: M01

C:\pwworking\jacobs_uk_highways_ss4\legintl_castlehd0147657\BCIDB-JAC-TSM_SJ-0007_XX_00-DR-TR-0001.dwg

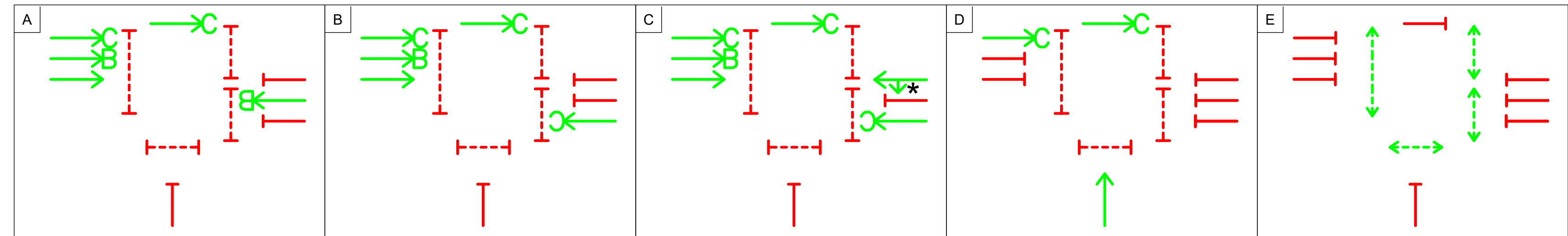


- LEGEND:**
- TRAFFIC SIGNAL HEADS:**
 - RTS 001 PRIMARY
 - RTS 001 SECONDARY
 - RTS 002(E) PRIMARY
 - RTS 004(E) PRIMARY
 - RTS 004(E) SECONDARY
 - RTS 007 PRIMARY
 - RTS 007 (LOW LEVEL) PRIMARY
 - RPC 004 PEDESTRIAN HEAD
 - TRAFFIC SIGNAL EQUIPMENT:**
 - POLE (STANDARD HEIGHT)
 - TALL POLE (CCTV/TRAFFIC SIGNALS)
 - SMALL POLE
 - POLE NUMBER
 - PUSH BUTTON UNIT
 - PAN / TILT / ZOOM CCTV CAMERA
 - GENERAL:**
 - SITE BOUNDARY LINE
 - TEMPORARY LAND ACQUISITION



Indicative Method of Control

* denotes Flashing Amber



Disclaimer
 a. © National Transport Authority (NTA) 2022. This drawing is confidential and the copyright in it is owned by NTA. This drawing must not be either loaned, copied or otherwise reproduced in whole or in part or used for any purpose without the prior permission of NTA.
 b. This drawing is to be used for the design element identified in the titlebox. Other information shown is to be considered indicative only. The drawing is to be read in conjunction with all other relevant design drawings.
 c. O.S. data used for plans are printed under © Ordnance Survey Ireland Government of Ireland. All rights reserved. Licence Number 2022/OSI_NMA_180 National Transport Authority. All elevations are in metres and relate to OSI Geoid Model (OSGM15) Mean Head. All Co-ordinates are in Irish

Transverse Mercator Grid (ITM) as defined by OSI active local GPS station.
 d. Information concerning the position of apparatus shown on this drawing is based on drawings supplied by the utility owners and/or the utility works contractor, whilst every care has been taken in the preparation of this drawing, positions should be taken as approximate and are intended for general guidance only and no representation is made by the NTA as to the accuracy, completeness, sufficiency or otherwise of this drawing and the position of the apparatus. The information contained herein does not purport to be comprehensive or final as the apparatus is subject to being altered and/or superceded. Recipients should not rely on this information. Any liabilities are hereby expressly disclaimed.

The information contained herein has been provided by the NTA but does not purport to be comprehensive or final. Recipients should not rely on the information. Neither the NTA nor any of its directors, officers, employees, agents, stakeholders or advisers make any representation or warranty as to, or accept any liability or responsibility in relation to, the adequacy, accuracy, reasonableness or completeness of the information provided as part of this document or any matter on which the information is based (including but not limited to loss or damage arising as a result of reliance by recipients on the information or any part of it). Any liabilities are hereby expressly disclaimed.

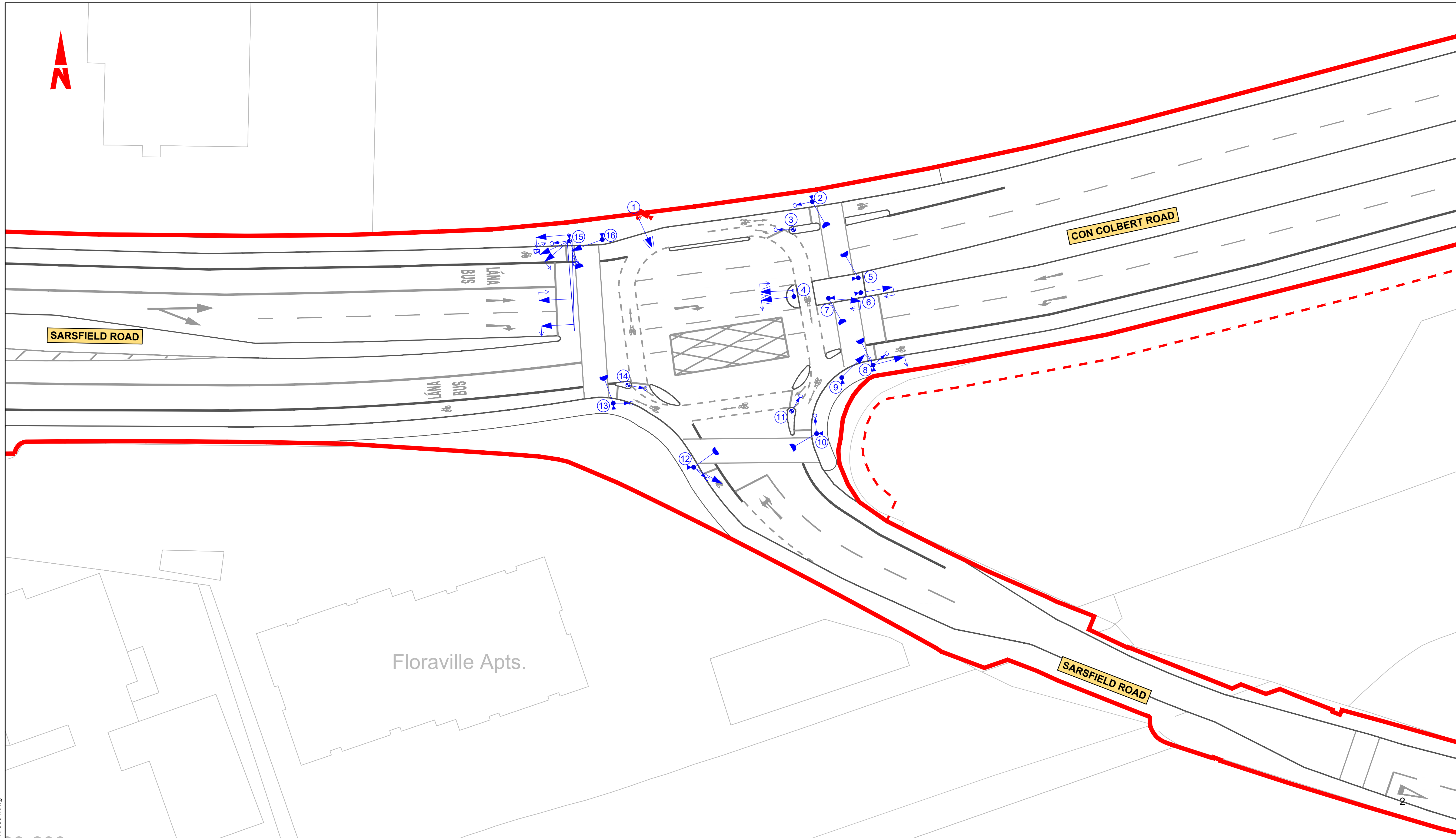


Rev	Date	Drn	Chk'd	App'd	Description
M01	07/06/2022	PT	KM	JB	ISSUE FOR PHASE 4: PLANNING

Date	Scale	Drawn	Checked	Approved
07/06/2022	1:250 @ A1 1:500 @ A3	PT	KM	JB
Project Code	Originator Code	QMS Code		
BCIDB	JAC			

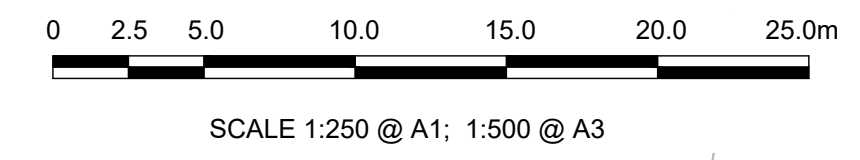
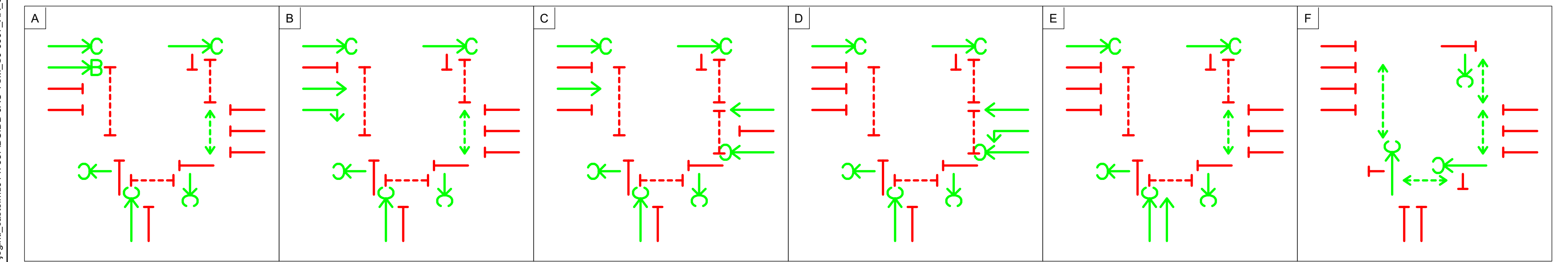
Programme Title BUSCONNECTS DUBLIN CORE BUS CORRIDORS INFRASTRUCTURE WORKS				
Drawing Title LIFFEY VALLEY TO CITY CENTRE CORE BUS CORRIDOR SCHEME JUNCTION SYSTEMS DESIGN SARSFIELD ROAD / LANDEN ROAD JUNCTION				
Drawing File Name	Sheet Number	Status	Rev	
BCIDB-JAC-TSM_SJ-0007_XX_00-DR-TR-0014	14 of 27	A	M01	

C:\pwworking\jacobs_uk_highways_ssa\legintl_caslehd0147657\BCIDB-JAC-TSM_SJ-0007_XX_00-DR-TR-0001.dwg



- LEGEND:**
- TRAFFIC SIGNAL HEADS:**
- RTS 001 PRIMARY
 - RTS 001 SECONDARY
 - RTS 002(A) PRIMARY
 - RTS 002(B) PRIMARY
 - RTS 002(B) SECONDARY
 - RTS 002(C) PRIMARY
 - RTS 002(C) SECONDARY
 - RTS 002(J) PRIMARY
 - RTS 007 (LOW LEVEL) PRIMARY
 - RPC 004 PEDESTRIAN HEAD
- TRAFFIC SIGNAL EQUIPMENT:**
- POLE (STANDARD HEIGHT)
 - TALL POLE (CCTV/TRAFFIC SIGNALS)
 - SMALL POLE
 - POLE NUMBER
 - PUSH BUTTON UNIT
 - PAN / TILT / ZOOM CCTV CAMERA
- GENERAL:**
- SITE BOUNDARY LINE
 - TEMPORARY LAND ACQUISITION

Indicative Method of Control



Disclaimer

a. © National Transport Authority (NTA) 2022. This drawing is confidential and the copyright in it is owned by NTA. This drawing must not be either loaned, copied or otherwise reproduced in whole or in part or used for any purpose without the prior permission of NTA.

b. This drawing is to be used for the design element identified in the titlebox. Other information shown is to be considered indicative only. The drawing is to be read in conjunction with all other relevant design drawings.

c. O.S. data used for plans are printed under © Ordnance Survey Ireland Government of Ireland. All rights reserved. Licence Number 2022/OSI_NMA_180 National Transport Authority. All elevations are in metres and relate to OSI Geoid Model (OSGM15) Malin Head. All Co-ordinates are in Irish Transverse Mercator Grid (ITM) as defined by OSI active local GPS station.

d. Information concerning the position of apparatus shown on this drawing is based on drawings supplied by the utility owners and/or the utility works contractor, whilst every care has been taken in the preparation of this drawing, positions should be taken as approximate and are intended for general guidance only and no representation is made by the NTA as to the accuracy, completeness, sufficiency or otherwise of this drawing and the position of the apparatus. The information contained herein does not purport to be comprehensive or final as the apparatus is subject to being altered and/or superceded. Recipients should not rely on this information. Any liabilities are hereby expressly disclaimed.

e. The information contained herein has been provided by the NTA but does not purport to be comprehensive or final. Recipients should not rely on the information. Neither the NTA nor any of its directors, officers, employees, agents, stakeholders or advisers make any representation or warranty as to, or accept any liability or responsibility in relation to, the adequacy, accuracy, reasonableness or completeness of the information provided as part of this document or any matter on which the information is based (including but not limited to loss or damage arising as a result of reliance by recipients on the information or any part of it). Any liabilities are hereby expressly disclaimed.

Rev	Date	Drn	Chk'd	App'd	Description
M01	07/06/2022	PT	KM	JB	ISSUE FOR PHASE 4: PLANNING

Client: **NTA**
Údarás Náisiúnta Iompair
National Transport Authority

Engineering Designer: **Jacobs**

Date: 07/06/2022 | Scale: 1:250 @ A1, 1:500 @ A3 | Drawn: PT | Checked: KM | Approved: JB

Project Code: BCIDB | Originator Code: JAC | QMS Code:

Programme Title: **BUSCONNECTS DUBLIN CORE BUS CORRIDORS INFRASTRUCTURE WORKS**

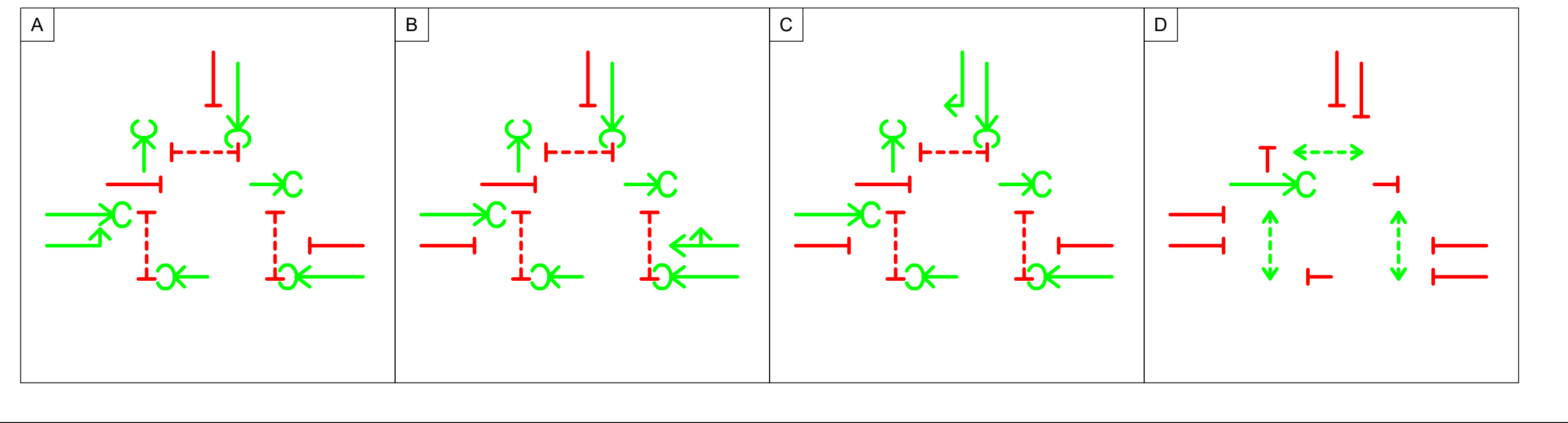
Drawing Title: **LIFFEY VALLEY TO CITY CENTRE CORE BUS CORRIDOR SCHEME JUNCTION SYSTEMS DESIGN DRAWINGS Sarsfield Road / Con Colbert Road Junction**

Drawing File Name: BCIDB-JAC-TSM_SJ-0007_XX_00-DR-TR-0015	Sheet Number: 15 of 27	Status: A	Rev: M01
---	------------------------	-----------	----------

DO NOT SCALE USE FIGURED DIMENSIONS ONLY

C:\pwworking\jacobs_uk_highways_ssa\legintl_caslehd0147657\BCIDB-JAC-TSM_SJ-0007_XX_00-DR-TR-0001.dwg

Indicative Method of Control



0 2.5 5.0 10.0 15.0 20.0 25.0m

SCALE 1:250 @ A1; 1:500 @ A3

LEGEND:

- TRAFFIC SIGNAL HEADS:**
- RTS 001 PRIMARY
 - RTS 002(A) PRIMARY
 - RTS 002(A) SECONDARY
 - RTS 002(C) PRIMARY
 - RTS 002(C) SECONDARY
 - RTS 007 (LOW LEVEL) PRIMARY
 - RPC 004 PEDESTRIAN HEAD
- TRAFFIC SIGNAL EQUIPMENT:**
- POLE (STANDARD HEIGHT)
 - TALL POLE (CCTV/TRAFFIC SIGNALS)
 - SMALL POLE
 - POLE NUMBER
 - PUSH BUTTON UNIT
 - PAN / TILT / ZOOM CCTV CAMERA
- GENERAL:**
- SITE BOUNDARY LINE
 - TEMPORARY LAND ACQUISITION



C:\pwworking\jacobs_uk_highways_ssa\legintl_cashehd\147657\BCIDB-JAC-TSM_SJ-0007_XX_00-DR-TR-0016.dwg

Disclaimer

a. © National Transport Authority (NTA) 2022. This drawing is confidential and the copyright in it is owned by NTA. This drawing must not be either loaned, copied or otherwise reproduced in whole or in part or used for any purpose without the prior permission of NTA.

b. This drawing is to be used for the design element identified in the titleblock. Other information shown is to be considered indicative only. The drawing is to be read in conjunction with all other relevant design drawings.

c. O.S. data used for plans are printed under © Ordnance Survey Ireland Government of Ireland. All rights reserved. Licence Number 2022/OSI_NMA_180 National Transport Authority. All elevations are in metres and relate to OSI Geoid Model (OSGM15) Mean Head. All Co-ordinates are in Irish Transverse Mercator Grid (ITM) as defined by OSI active local GPS station.

d. Information concerning the position of apparatus shown on this drawing is based on drawings supplied by the utility owners and/or the utility works contractor, whilst every care has been taken in the preparation of this drawing, positions should be taken as approximate and are intended for general guidance only and no representation is made by the NTA as to the accuracy, completeness, sufficiency or otherwise of this drawing and the position of the apparatus. The information contained herein does not purport to be comprehensive or final as the apparatus is subject to being altered and/or superceded. Recipients should not rely on this information. Any liabilities are hereby expressly disclaimed.

e. The information contained herein has been provided by the NTA but does not purport to be comprehensive or final. Recipients should not rely on the information. Neither the NTA nor any of its directors, officers, employees, agents, stakeholders or advisers make any representation or warranty as to, or accept any liability or responsibility in relation to, the adequacy, accuracy, reasonableness or completeness of the information provided as part of this document or any matter on which the information is based (including but not limited to loss or damage arising as a result of reliance by recipients on the information or any part of it). Any liabilities are hereby expressly disclaimed.

Rev	Date	Drn	Chk'd	App'd	Description
M01	07/06/2022	PT	KM	JB	ISSUE FOR PHASE 4: PLANNING

Client: **NTA**
Údarás Náisiúnta Iompair
National Transport Authority

Engineering Designer: **Jacobs**

Date: 07/06/2022 | Scale: 1:250 @ A1, 1:500 @ A3 | Drawn: PT | Checked: KM | Approved: JB

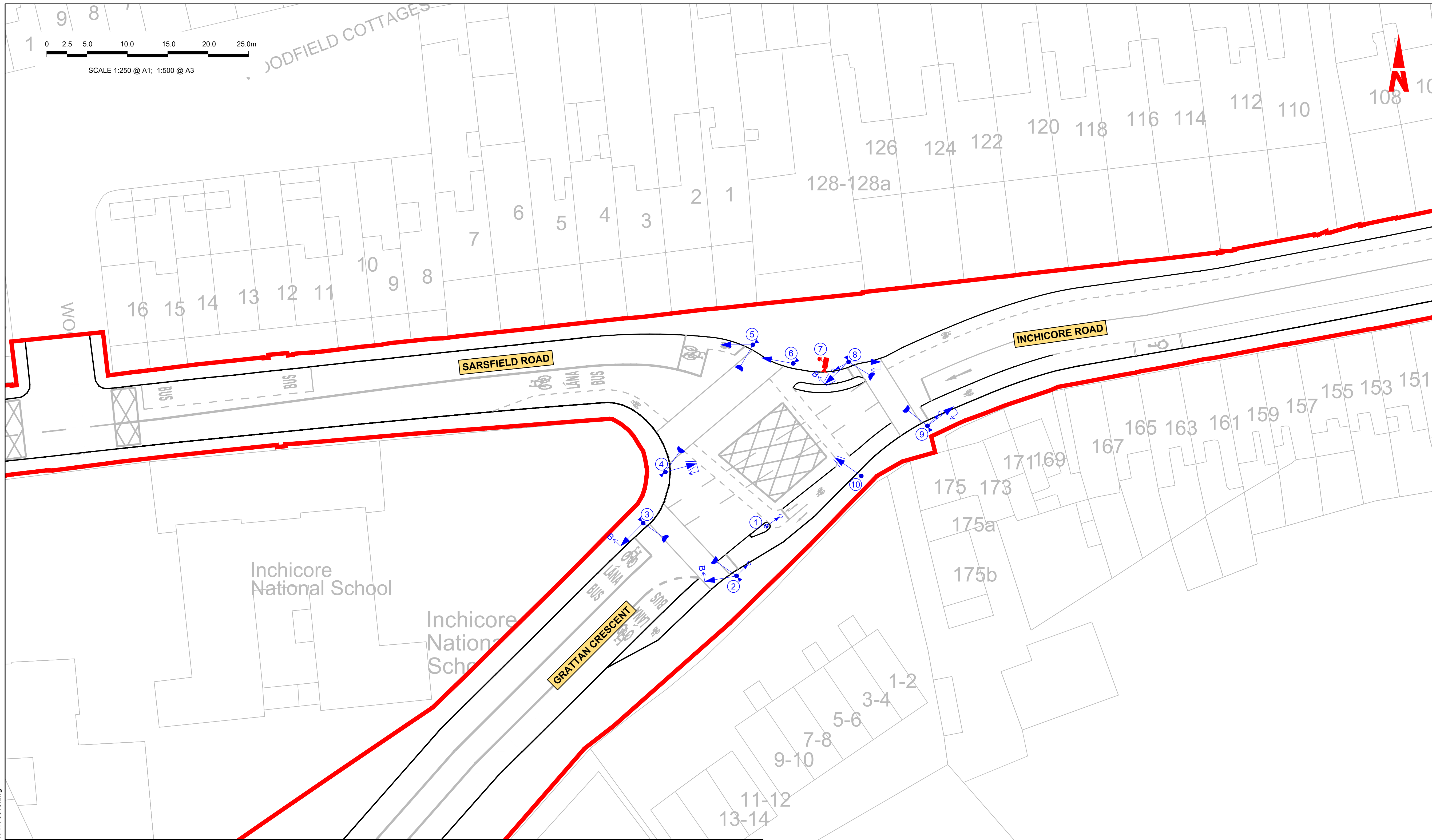
Project Code: BCIDB | Originator Code: JAC | QMS Code:

Programme Title: **BUSCONNECTS DUBLIN**
CORE BUS CORRIDORS INFRASTRUCTURE WORKS

Drawing Title: LIFFEY VALLEY TO CITY CENTRE CORE BUS CORRIDOR SCHEME
JUNCTION SYSTEMS DESIGN
INCHICORE ROAD / MEMORIAL ROAD JUNCTION

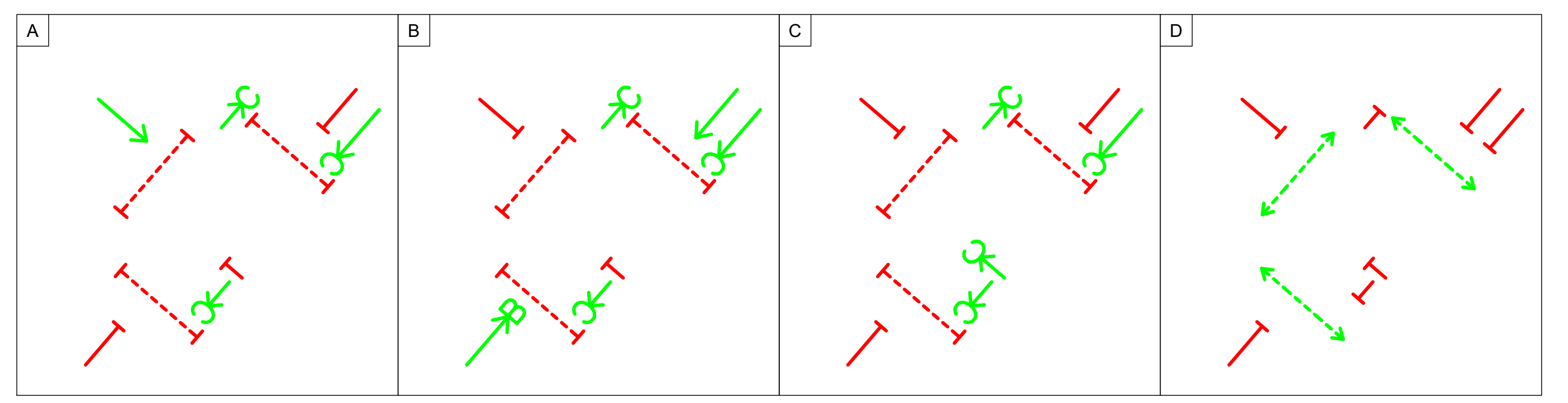
Drawing File Name: BCIDB-JAC-TSM_SJ-0007_XX_00-DR-TR-0016 | Sheet Number: 16 of 27 | Status: A | Rev: M01

DO NOT SCALE USE FIGURED DIMENSIONS ONLY



- LEGEND:**
- TRAFFIC SIGNAL HEADS:**
- RTS 001 PRIMARY
 - RTS 001 SECONDARY
 - RTS 002(B) PRIMARY
 - RTS 002(B) SECONDARY
 - RTS 002(I) PRIMARY
 - RTS 002(I) SECONDARY
 - RTS 007 (LOW LEVEL) PRIMARY
 - RPC 004 PEDESTRIAN HEAD
- TRAFFIC SIGNAL EQUIPMENT:**
- POLE (STANDARD HEIGHT)
 - TALL POLE (CCTV/TRAFFIC SIGNALS)
 - SMALL POLE
 - POLE NUMBER
 - PUSH BUTTON UNIT
 - PAN / TILT / ZOOM CCTV CAMERA
- GENERAL:**
- SITE BOUNDARY LINE
 - TEMPORARY LAND ACQUISITION

Indicative Method of Control



Disclaimer
 a. © National Transport Authority (NTA) 2022. This drawing is confidential and the copyright in it is owned by NTA. This drawing must not be either loaned, copied or otherwise reproduced in whole or in part or used for any purpose without the prior permission of NTA.
 b. This drawing is to be used for the design element identified in the titleblock. Other information shown is to be considered indicative only. The drawing is to be read in conjunction with all other relevant design drawings.
 c. O.S. data used for plans are printed under © Ordnance Survey Ireland Government of Ireland. All rights reserved. Licence Number 2022/OSI_NMA_180 National Transport Authority. All elevations are in metres and relate to OSI Geoid Model (OSGM15) Mean Head. All Co-ordinates are in Irish

Transverse Mercator Grid (ITM) as defined by OSI active local GPS station.
 Information concerning the position of apparatus shown on this drawing is based on drawings supplied by the utility owners and/or the utility works contractor, whilst every care has been taken in the preparation of this drawing, positions should be taken as approximate and are intended for general guidance only and no representation is made by the NTA as to the accuracy, completeness, sufficiency or otherwise of this drawing and the position of the apparatus. The information contained herein does not purport to be comprehensive or final as the apparatus is subject to being altered and/or superceded. Recipients should not rely on this information. Any liabilities are hereby expressly disclaimed.

The information contained herein has been provided by the NTA but does not purport to be comprehensive or final. Recipients should not rely on the information. Neither the NTA nor any of its directors, officers, employees, agents, stakeholders or advisers make any representation or warranty as to, or accept any liability or responsibility in relation to, the adequacy, accuracy, reasonableness or completeness of the information provided as part of this document or any matter on which the information is based (including but not limited to loss or damage arising as a result of reliance by recipients on the information or any part of it). Any liabilities are hereby expressly disclaimed.



Rev	Date	Dwn	Chk'd	App'd	Description
M01	07/06/2022	PT	KM	JB	ISSUE FOR PHASE 4: PLANNING

Client: **NTA**
 Údarás Náisiúnta Iompair
 National Transport Authority

Engineering Designer: **Jacobs**

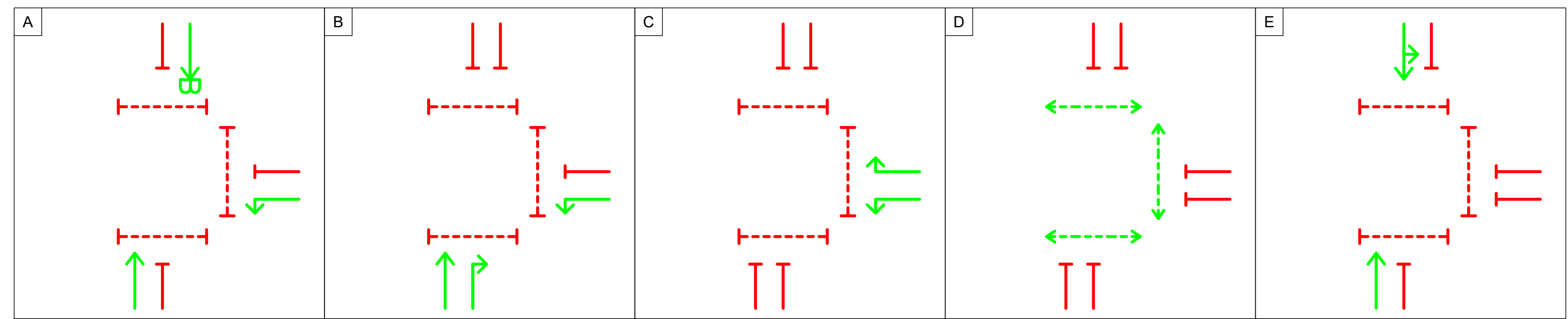
Date	Scale	Drawn	Checked	Approved
07/06/2022	1:250 @ A1 1:500 @ A3	PT	KM	JB

Project Code: BCIDB | Originator Code: JAC | QMS Code:

Programme Title: BUSCONNECTS DUBLIN CORE BUS CORRIDORS INFRASTRUCTURE WORKS			
Drawing Title: LIFFEY VALLEY TO CITY CENTRE CORE BUS CORRIDOR SCHEME JUNCTION SYSTEMS DESIGN SARSFIELD ROAD / INCHICORE ROAD / GRATTTAN CRESCENT JUNCTION			
Drawing File Name: BCIDB-JAC-TSM_SJ-0007_XX_00-DR-TR-0017	Sheet Number: 17 of 27	Status: A	Rev: M01

C:\pwworking\jacobs_uk_highways_ss4\legintl_caslehd0147657\BCIDB-JAC-TSM_SJ-0007_XX_00-DR-TR-0016.dwg

Indicative Method of Control



SCALE 1:250 @ A1; 1:500 @ A3

LEGEND:

TRAFFIC SIGNAL HEADS:

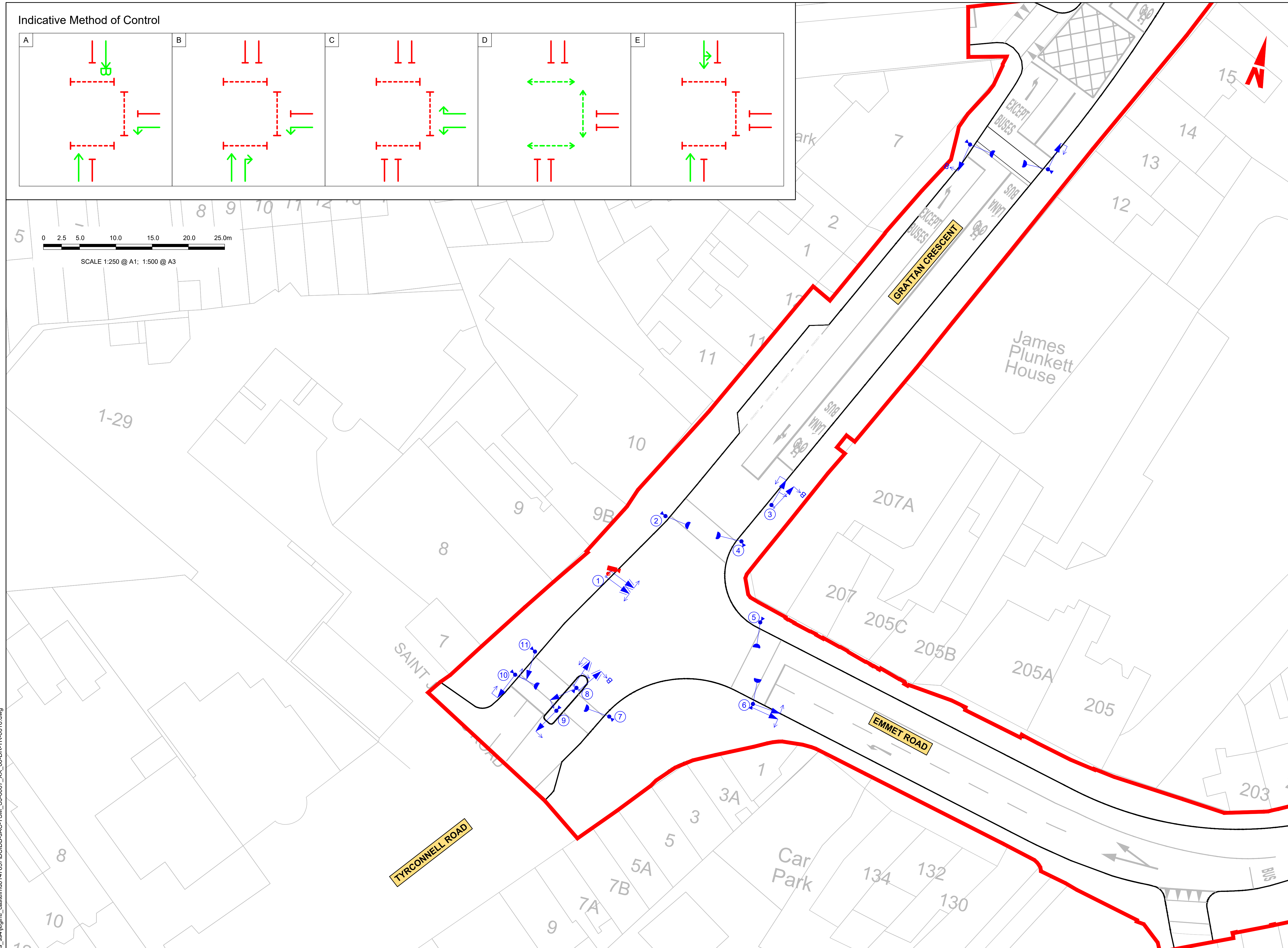
- RTS 002(A) PRIMARY
- RTS 002(A) SECONDARY
- RTS 002(B) PRIMARY
- RTS 002(C) PRIMARY
- RTS 002(C) SECONDARY
- RTS 002(I) PRIMARY
- RTS 002(I) SECONDARY
- RTS 003(H) PRIMARY
- RTS 003(H) SECONDARY
- RTS 007 (LOW LEVEL) PRIMARY
- RPC 004 PEDESTRIAN HEAD

TRAFFIC SIGNAL EQUIPMENT:

- POLE (STANDARD HEIGHT)
- TALL POLE (CCTV/TRAFFIC SIGNALS)
- SMALL POLE
- POLE NUMBER
- PUSH BUTTON UNIT
- PAN / TILT / ZOOM CCTV CAMERA

GENERAL:

- SITE BOUNDARY LINE
- TEMPORARY LAND ACQUISITION



C:\pwworking\jacobs_uk_highways_ss4\legintl_caslehd0147657\BCIDB-JAC-TSM_SJ-0007_XX_00-DR-TR-0016.dwg

Disclaimer

a. © National Transport Authority (NTA) 2022. This drawing is confidential and the copyright in it is owned by NTA. This drawing must not be either loaned, copied or otherwise reproduced in whole or in part or used for any purpose without the prior permission of NTA.

b. This drawing is to be used for the design element identified in the titlebox. Other information shown is to be considered indicative only. The drawing is to be read in conjunction with all other relevant design drawings.

c. O.S. data used for plans are printed under © Ordnance Survey Ireland Government of Ireland. All rights reserved. Licence Number 2022/OSI_NMA_180 National Transport Authority. All elevations are in metres and relate to OSI Geoid Model (OSGM15) Mean Head. All Co-ordinates are in Irish Transverse Mercator Grid (ITM) as defined by OSI active local GPS station.

d. Information concerning the position of apparatus shown on this drawing is based on drawings supplied by the utility owners and/or the utility works contractor, whilst every care has been taken in the preparation of this drawing, positions should be taken as approximate and are intended for general guidance only and no representation is made by the NTA as to the accuracy, completeness, sufficiency or otherwise of this drawing and the position of the apparatus. The information contained herein does not purport to be comprehensive or final as the apparatus is subject to being altered and/or superceded. Recipients should not rely on this information. Any liabilities are hereby expressly disclaimed.

e. The information contained herein has been provided by the NTA but does not purport to be comprehensive or final. Recipients should not rely on the information. Neither the NTA nor any of its directors, officers, employees, agents, stakeholders or advisers make any representation or warranty as to, or accept any liability or responsibility in relation to, the adequacy, accuracy, reasonableness or completeness of the information provided as part of this document or any matter on which the information is based (including but not limited to loss or damage arising as a result of reliance by recipients on the information or any part of it). Any liabilities are hereby expressly disclaimed.

Rev	Date	Drn	Chk'd	App'd	Description
M01	07/06/2022	PT	KM	JB	ISSUE FOR PHASE 4: PLANNING

Client: **NTA**
Údarás Náisiúnta Iompair
National Transport Authority

Engineering Designer: **Jacobs**

Date: 07/06/2022 | Scale: 1:250 @ A1, 1:500 @ A3 | Drawn: PT | Checked: KM | Approved: JB

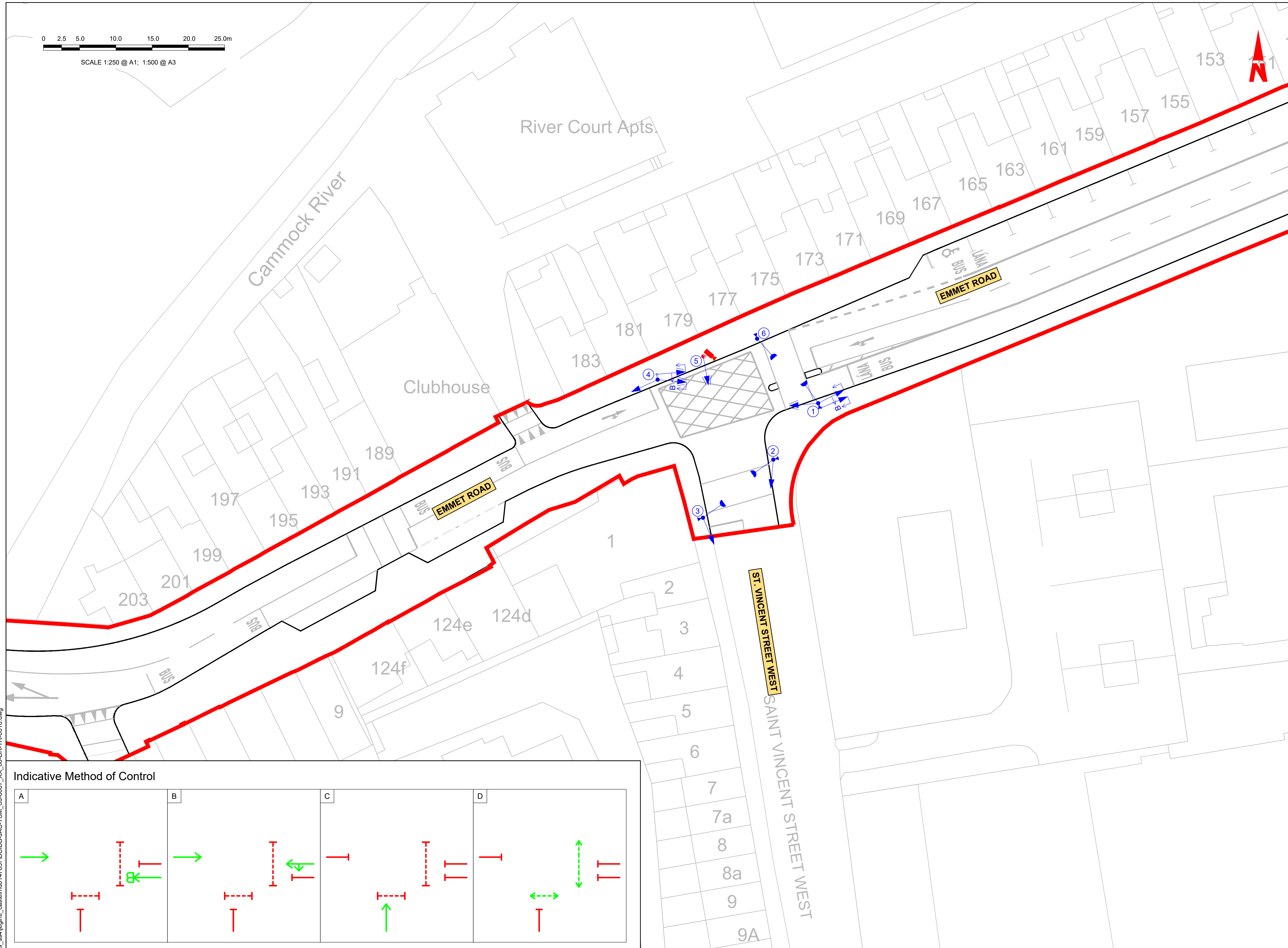
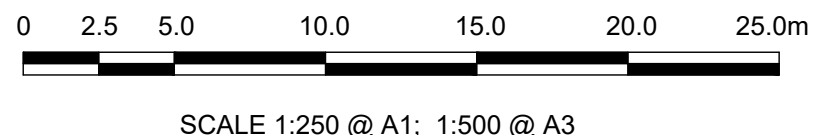
Project Code: BCIDB | Originator Code: JAC | QMS Code:

Programme Title: **BUSCONNECTS DUBLIN**
CORE BUS CORRIDORS INFRASTRUCTURE WORKS

Drawing Title: LIFFEY VALLEY TO CITY CENTRE CORE BUS CORRIDOR SCHEME
JUNCTION SYSTEMS DESIGN
GRATTAN CRESCENT / TYRCONNELL ROAD / EMMET ROAD JUNCTION

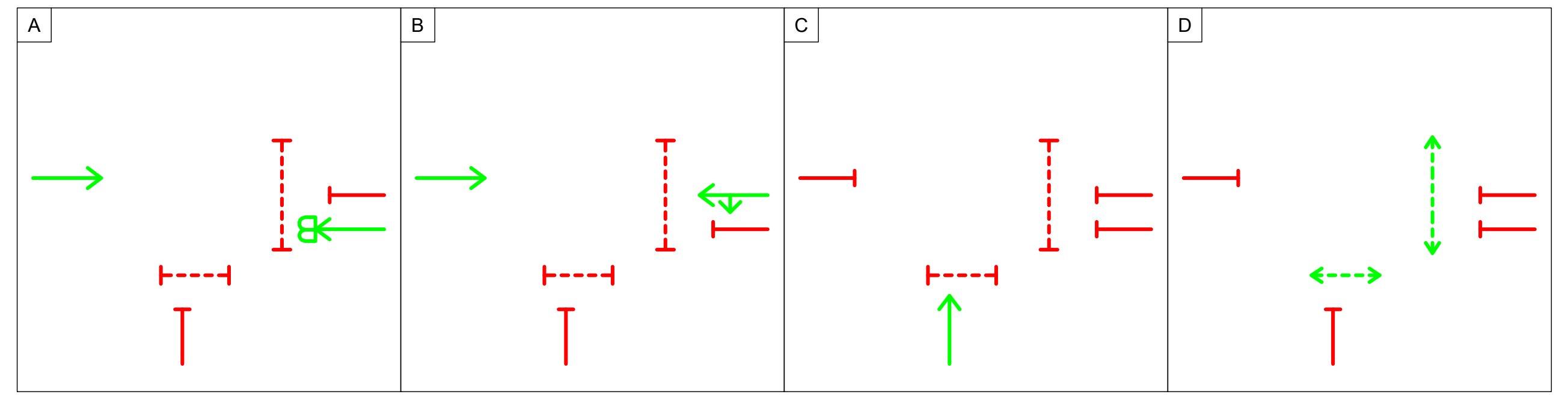
Drawing File Name: BCIDB-JAC-TSM_SJ-0007_XX_00-DR-TR-0018 | Sheet Number: 18 of 27 | Status: A | Rev: M01

DO NOT SCALE USE FIGURED DIMENSIONS ONLY



- LEGEND:**
- TRAFFIC SIGNAL HEADS:**
- RTS 001 PRIMARY
 - RTS 001 SECONDARY
 - RTS 002(B) PRIMARY
 - RTS 002(B) SECONDARY
 - RTS 002(E) PRIMARY
 - RTS 002(E) SECONDARY
 - RTS 003(H) PRIMARY
 - RTS 003(H) SECONDARY
 - RTS 007 (LOW LEVEL) PRIMARY
 - RPC 004 PEDESTRIAN HEAD
- TRAFFIC SIGNAL EQUIPMENT:**
- POLE (STANDARD HEIGHT)
 - TALL POLE (CCTV/TRAFFIC SIGNALS)
 - SMALL POLE
 - POLE NUMBER
 - PUSH BUTTON UNIT
 - PAN / TILT / ZOOM CCTV CAMERA
- GENERAL:**
- SITE BOUNDARY LINE
 - TEMPORARY LAND ACQUISITION

Indicative Method of Control



Disclaimer

a. © National Transport Authority (NTA) 2022. This drawing is confidential and the copyright in it is owned by NTA. This drawing must not be either loaned, copied or otherwise reproduced in whole or in part or used for any purpose without the prior permission of NTA.

b. This drawing is to be used for the design element identified in the titleblock. Other information shown is to be considered indicative only. The drawing is to be read in conjunction with all other relevant design drawings.

c. O.S. data used for plans are printed under © Ordnance Survey Ireland Government of Ireland. All rights reserved. Licence Number 2022/OSI_NMA_180 National Transport Authority. All elevations are in metres and relate to OSI Geoid Model (OSGM15) Mean Head. All Co-ordinates are in Irish

Transverse Mercator Grid (ITM) as defined by OSI active local GPS station.

d. Information concerning the position of apparatus shown on this drawing is based on drawings supplied by the utility owners and/or the utility works contractor, whilst every care has been taken in the preparation of this drawing, positions should be taken as approximate and are intended for general guidance only and no representation is made by the NTA as to the accuracy, completeness, sufficiency or otherwise of this drawing and the position of the apparatus. The information contained herein does not purport to be comprehensive or final as the apparatus is subject to being altered and/or superceded. Recipients should not rely on this information. Any liabilities are hereby expressly disclaimed.

e. The information contained herein has been provided by the NTA but does not purport to be comprehensive or final. Recipients should not rely on the information. Neither the NTA nor any of its directors, officers, employees, agents, stakeholders or advisers make any representation or warranty as to, or accept any liability or responsibility in relation to, the adequacy, accuracy, reasonableness or completeness of the information provided as part of this document or any matter on which the information is based (including but not limited to loss or damage arising as a result of reliance by recipients on the information or any part of it). Any liabilities are hereby expressly disclaimed.



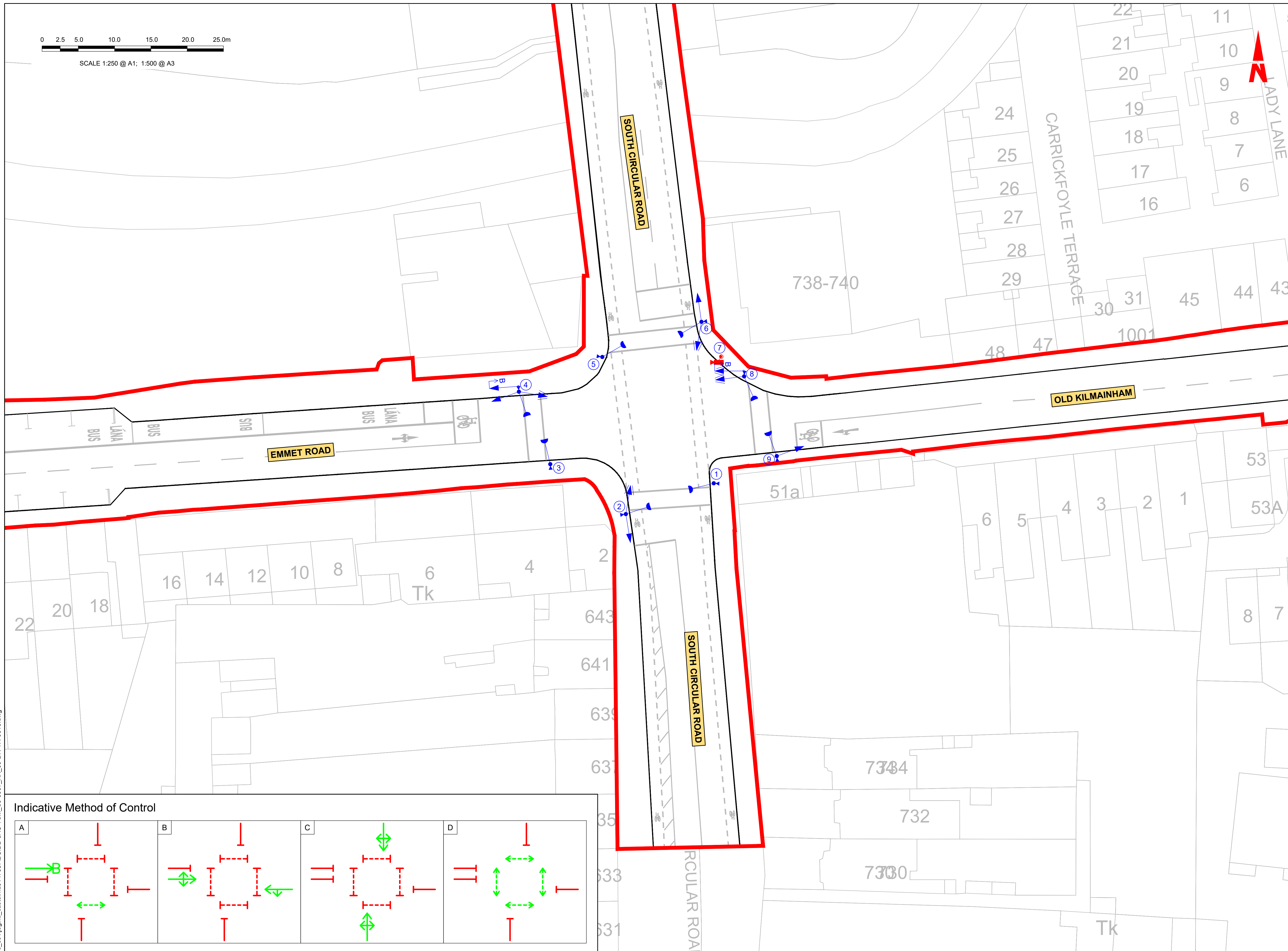
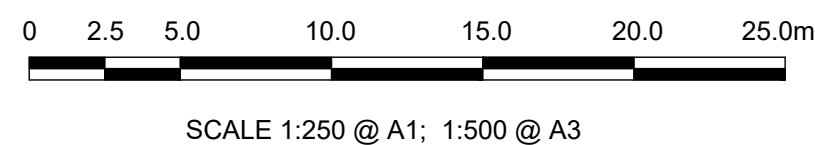
Rev	Date	Drn	Chk'd	App'd	Description
M01	07/06/2022	PT	KM	JB	ISSUE FOR PHASE 4: PLANNING

Date	Scale	Drawn	Checked	Approved
07/06/2022	1:250 @ A1 1:500 @ A3	PT	KM	JB
Project Code	Originator Code	QMS Code		
BCIDB	JAC			

Programme Title BUSCONNECTS DUBLIN CORE BUS CORRIDORS INFRASTRUCTURE WORKS			
Drawing Title LIFFEY VALLEY TO CITY CENTRE CORE BUS CORRIDOR SCHEME JUNCTION SYSTEMS DESIGN EMMET ROAD / ST VINCENT STREET WEST JUNCTION			
Drawing File Name	Sheet Number	Status	Rev
BCIDB-JAC-TSM_SJ-0007_XX_00-DR-TR-0019	19 of 27	A	M01

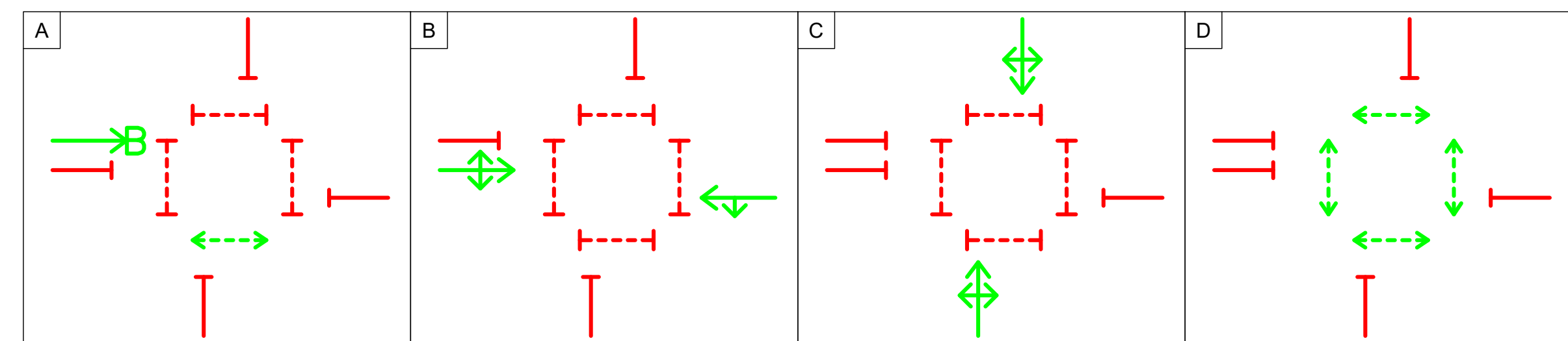
DO NOT SCALE USE FIGURED DIMENSIONS ONLY

C:\pwworking\jacobs_uk_highways_ss4\legintl_caslehd0147657\BCIDB-JAC-TSM_SJ-0007_XX_00-DR-TR-0016.dwg



- LEGEND:**
- TRAFFIC SIGNAL HEADS:**
- RTS 001 PRIMARY
 - RTS 001 SECONDARY
 - RTS 002(E) PRIMARY
 - RTS 002(E) SECONDARY
 - RTS 007 (LOW LEVEL) PRIMARY
 - RPC 004 PEDESTRIAN HEAD
- TRAFFIC SIGNAL EQUIPMENT:**
- POLE (STANDARD HEIGHT)
 - TALL POLE (CCTV/TRAFFIC SIGNALS)
 - SMALL POLE
 - POLE NUMBER
 - PUSH BUTTON UNIT
 - PAN / TILT / ZOOM CCTV CAMERA
- GENERAL:**
- SITE BOUNDARY LINE
 - TEMPORARY LAND ACQUISITION

Indicative Method of Control



Disclaimer

a. © National Transport Authority (NTA) 2022. This drawing is confidential and the copyright in it is owned by NTA. This drawing must not be either loaned, copied or otherwise reproduced in whole or in part or used for any purpose without the prior permission of NTA.

b. This drawing is to be used for the design element identified in the titlebox. Other information shown is to be considered indicative only. The drawing is to be read in conjunction with all other relevant design drawings.

c. O.S. data used for plans are printed under © Ordnance Survey Ireland Government of Ireland. All rights reserved. Licence Number 2022/OSI_NMA_180 National Transport Authority. All elevations are in metres and relate to OSI Geoid Model (OSGM15) Mean Head. All Co-ordinates are in Irish Transverse Mercator Grid (ITM) as defined by OSI active local GPS station.

d. Information concerning the position of apparatus shown on this drawing is based on drawings supplied by the utility owners and/or the utility works contractor, whilst every care has been taken in the preparation of this drawing, positions should be taken as approximate and are intended for general guidance only and no representation is made by the NTA as to the accuracy, completeness, sufficiency or otherwise of this drawing and the position of the apparatus. The information contained herein does not purport to be comprehensive or final as the apparatus is subject to being altered and/or superceded. Recipients should not rely on this information. Any liabilities are hereby expressly disclaimed.

e. The information contained herein has been provided by the NTA but does not purport to be comprehensive or final. Recipients should not rely on the information. Neither the NTA nor any of its directors, officers, employees, agents, stakeholders or advisers make any representation or warranty as to, or accept any liability or responsibility in relation to, the adequacy, accuracy, reasonableness or completeness of the information provided as part of this document or any matter on which the information is based (including but not limited to loss or damage arising as a result of reliance by recipients on the information or any part of it). Any liabilities are hereby expressly disclaimed.



Rev	Date	Dwn	Chk'd	App'd	Description
M01	07/06/2022	PT	KM	JB	ISSUE FOR PHASE 4: PLANNING

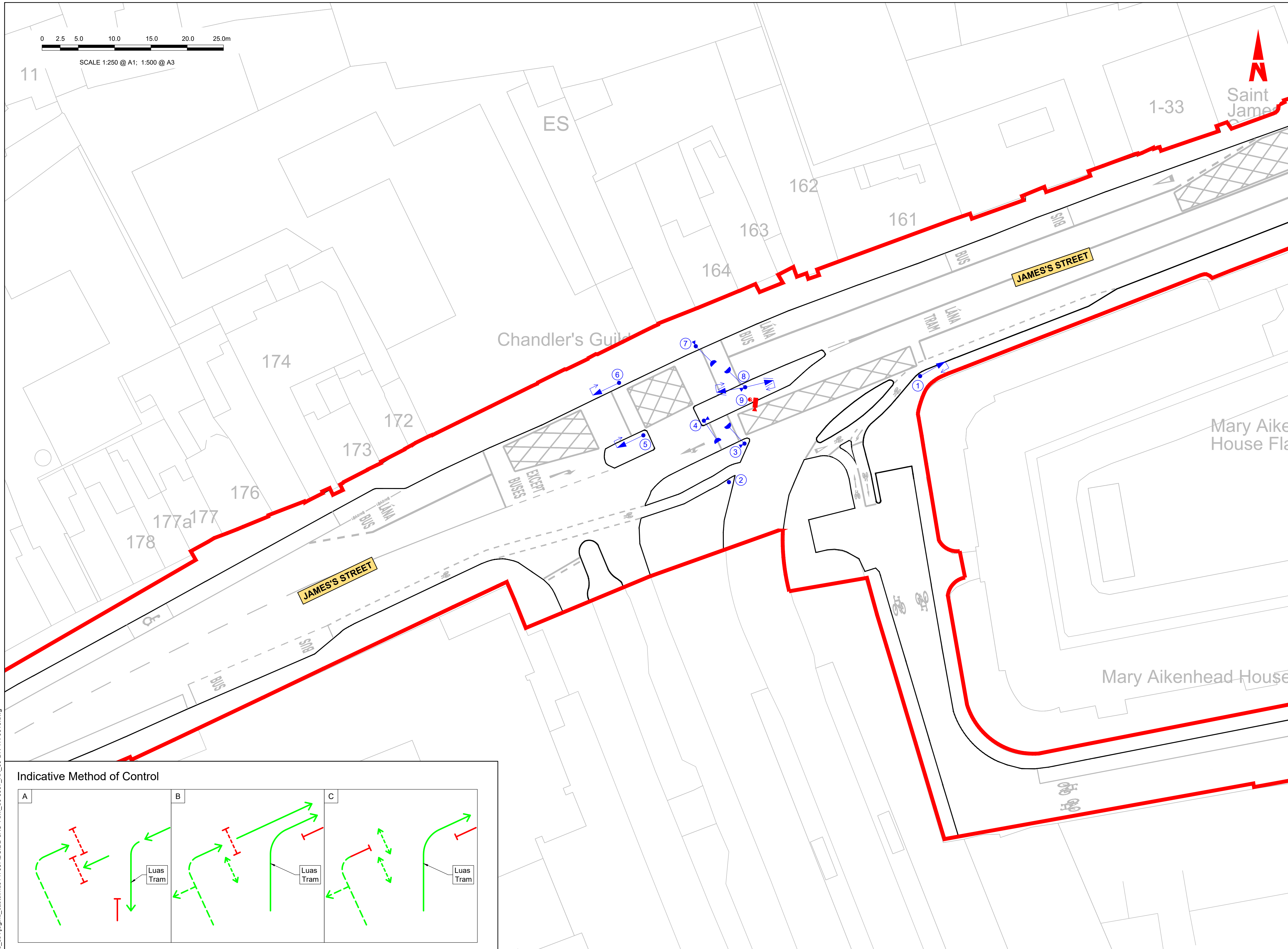
Date	Scale	Drawn	Checked	Approved
07/06/2022	1:250 @ A1 1:500 @ A3	PT	KM	JB
Project Code	Originator Code	QMS Code		
BCIDB	JAC			

Programme Title BUSCONNECTS DUBLIN CORE BUS CORRIDORS INFRASTRUCTURE WORKS			
Drawing Title LIFFEY VALLEY TO CITY CENTRE CORE BUS CORRIDOR SCHEME JUNCTION SYSTEMS DESIGN EMMET ROAD / SOUTH CIRCULAR ROAD / OLD KILMAINHAM JUNCTION			
Drawing File Name	Sheet Number	Status	Rev
BCIDB-JAC-TSM_SJ-0007_XX_00-DR-TR-0020	20 of 27	A	M01

C:\pwworking\jacobs_uk_highways_ssa\legintl_caslehd0147657\BCIDB-JAC-TSM_SJ-0007_XX_00-DR-TR-0016.dwg

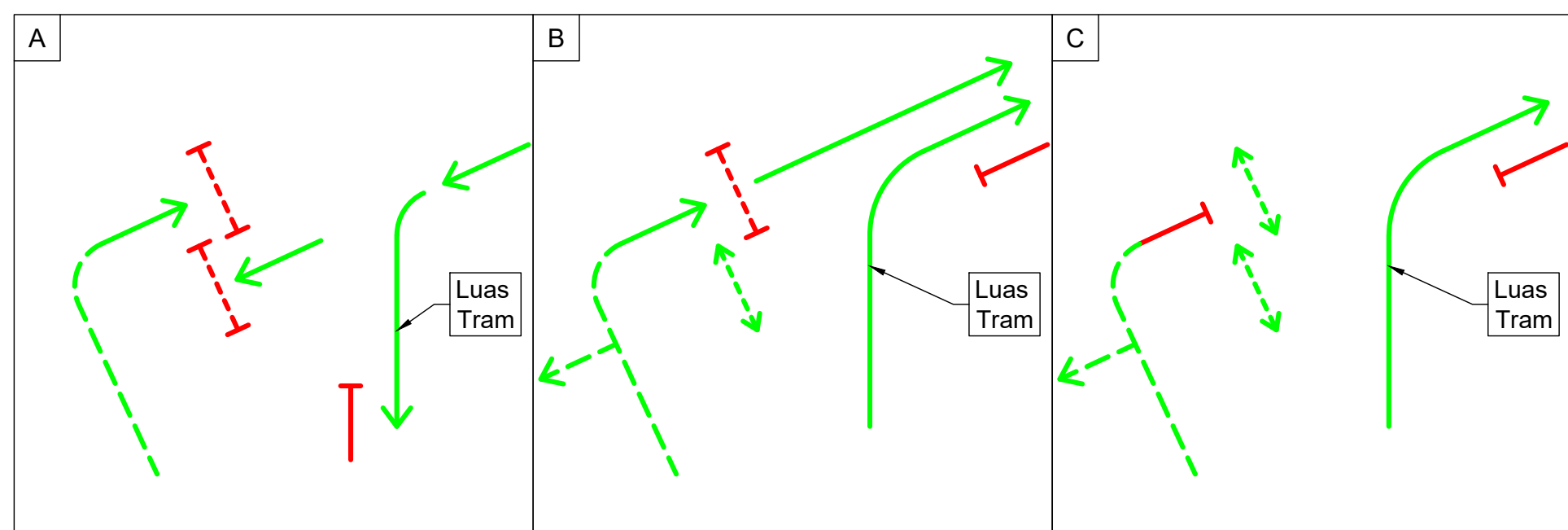


SCALE 1:250 @ A1; 1:500 @ A3



- LEGEND:**
- TRAFFIC SIGNAL HEADS:**
 - RTS 002(B) PRIMARY
 - RTS 002(B) SECONDARY
 - RPC 004 PEDESTRIAN HEAD
 - TRAFFIC SIGNAL EQUIPMENT:**
 - POLE (STANDARD HEIGHT)
 - TALL POLE (CCTV/TRAFFIC SIGNALS)
 - SMALL POLE
 - POLE NUMBER
 - PUSH BUTTON UNIT
 - PAN / TILT / ZOOM CCTV CAMERA
 - GENERAL:**
 - SITE BOUNDARY LINE
 - TEMPORARY LAND ACQUISITION

Indicative Method of Control



Disclaimer
 a. © National Transport Authority (NTA) 2022. This drawing is confidential and the copyright in it is owned by NTA. This drawing must not be either loaned, copied or otherwise reproduced in whole or in part or used for any purpose without the prior permission of NTA.
 b. This drawing is to be used for the design element identified in the titlebox. Other information shown is to be considered indicative only. The drawing is to be read in conjunction with all other relevant design drawings.
 c. O.S. data used for plans are printed under © Ordnance Survey Ireland Government of Ireland. All rights reserved. Licence Number 2022/OSI_NMA_180 National Transport Authority. All elevations are in metres and relate to OSI Geoid Model (OSGM15) Mean Head. All Co-ordinates are in Irish Transverse Mercator Grid (ITM) as defined by OSI active local GPS station.
 d. Information concerning the position of apparatus shown on this drawing is based on drawings supplied by the utility owners and/or the utility works contractor, whilst every care has been taken in the preparation of this drawing, positions should be taken as approximate and are intended for general guidance only and no representation is made by the NTA as to the accuracy, completeness, sufficiency or otherwise of this drawing and the position of the apparatus. The information contained herein does not purport to be comprehensive or final as the apparatus is subject to being altered and/or superceded. Recipients should not rely on this information. Any liabilities are hereby expressly disclaimed.
 e. The information contained herein has been provided by the NTA but does not purport to be comprehensive or final. Recipients should not rely on the information. Neither the NTA nor any of its directors, officers, employees, agents, stakeholders or advisers make any representation or warranty as to, or accept any liability or responsibility in relation to, the adequacy, accuracy, reasonableness or completeness of the information provided as part of this document or any matter on which the information is based (including but not limited to loss or damage arising as a result of reliance by recipients on the information or any part of it). Any liabilities are hereby expressly disclaimed.



Rev	Date	Drn	Chk'd	App'd	Description
M01	07/06/2022	PT	KM	JB	ISSUE FOR PHASE 4: PLANNING

Client: **NTA**
 Údarás Náisiúnta Iompair
 National Transport Authority

Engineering Designer: **Jacobs**

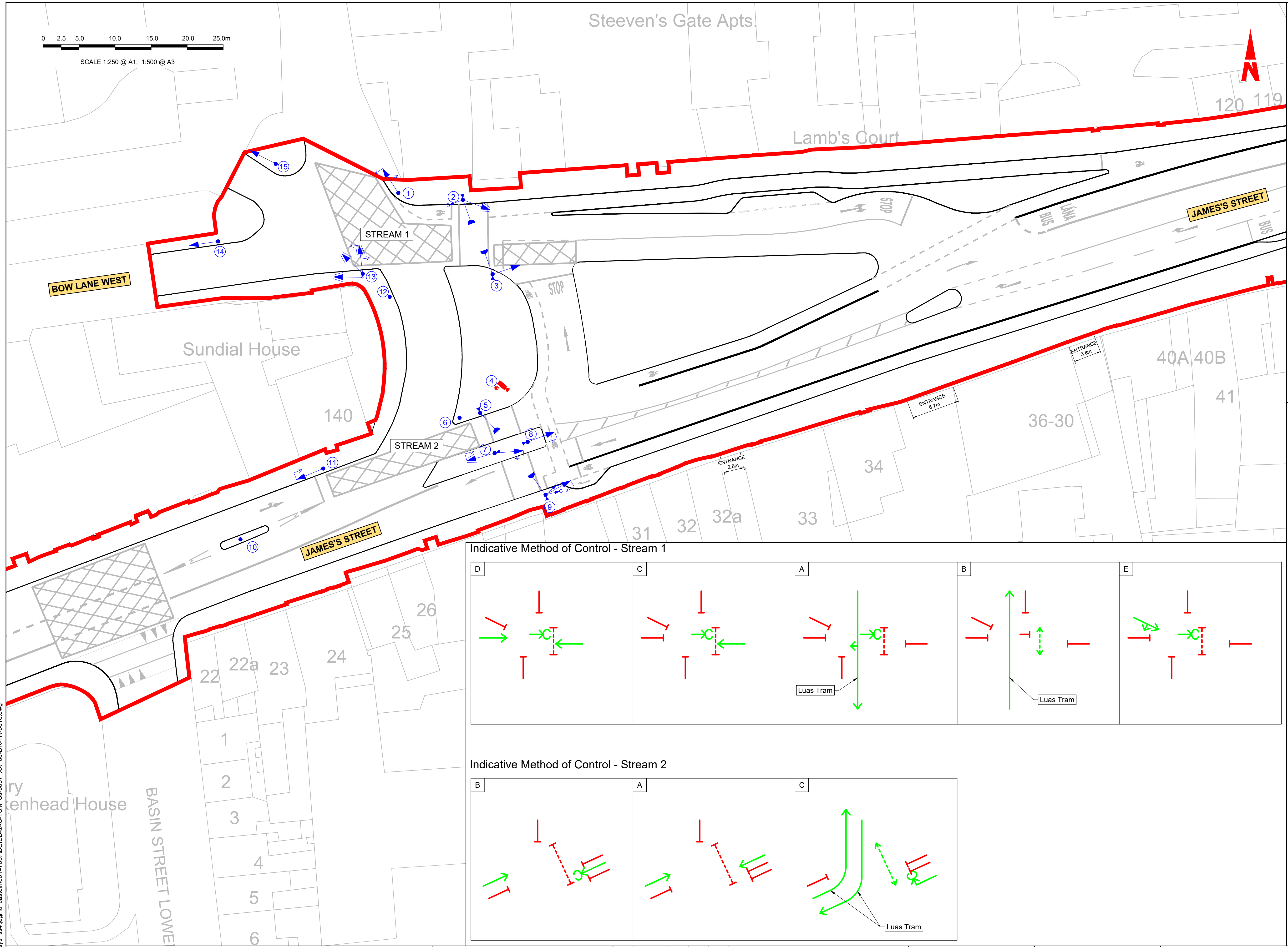
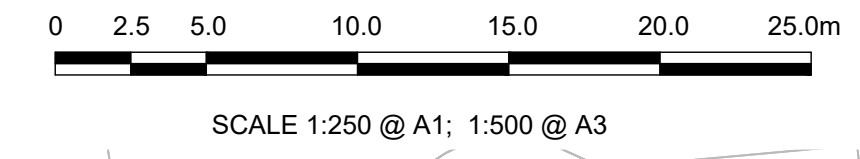
Date: 07/06/2022 | Scale: 1:250 @ A1, 1:500 @ A3 | Drawn: PT | Checked: KM | Approved: JB

Project Code: BCIDB | Originator Code: JAC | QMS Code:

Programme Title: BUSCONNECTS DUBLIN			
CORE BUS CORRIDORS INFRASTRUCTURE WORKS			
Drawing Title: LIFFEY VALLEY TO CITY CENTRE CORE BUS CORRIDOR SCHEME JUNCTION SYSTEMS DESIGN JAMES STREET / ST JAMES'S HOSPITAL JUNCTION			
Drawing File Name: BCIDB-JAC-TSM_SJ-0007_XX_00-DR-TR-0021	Sheet Number: 21 of 27	Status: A	Rev: M01

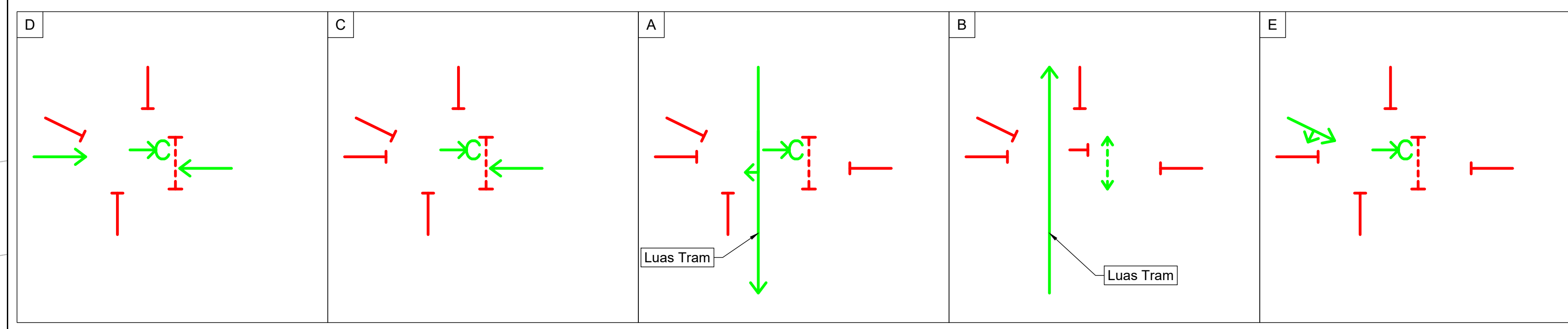
DO NOT SCALE USE FIGURED DIMENSIONS ONLY

C:\pwworking\jacobs_uk_highways_ssa\legintl_castlehd0147657\BCIDB-JAC-TSM_SJ-0007_XX_00-DR-TR-0016.dwg

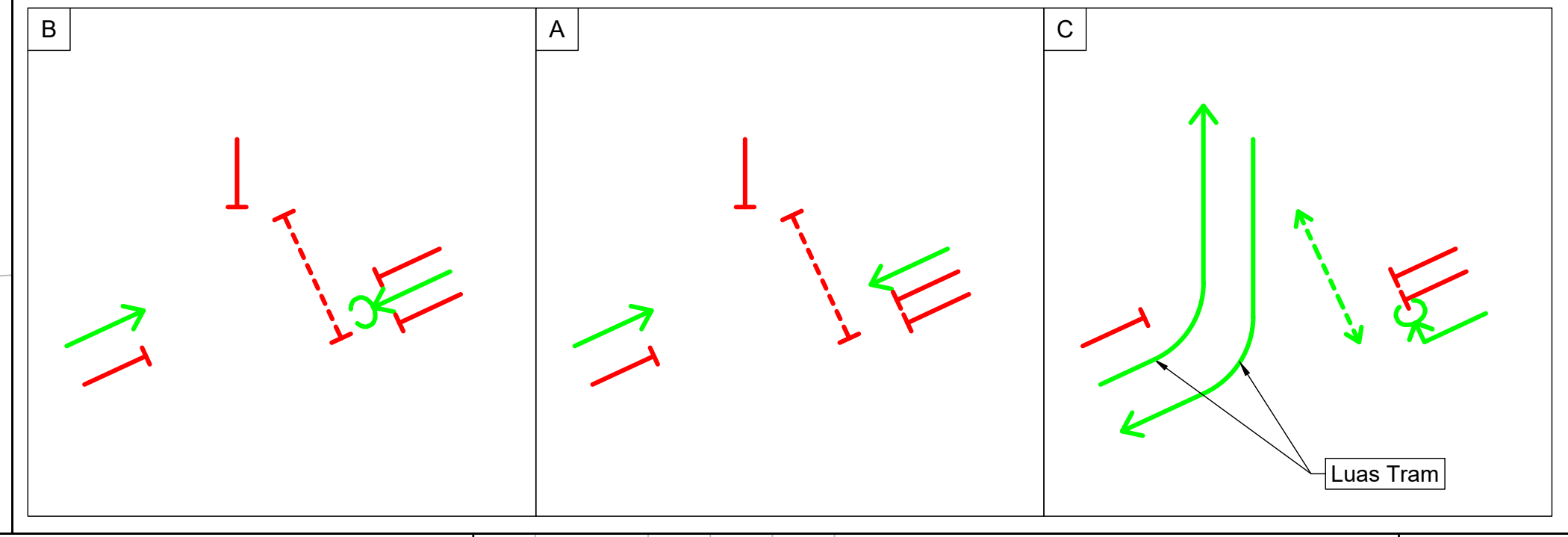


- LEGEND:**
- TRAFFIC SIGNAL HEADS:**
 - RTS 001 PRIMARY
 - RTS 001 SECONDARY
 - RTS 002(B) PRIMARY
 - RTS 002(B) SECONDARY
 - RTS 003(G) PRIMARY
 - RTS 003(G) SECONDARY
 - RTS 007 (LOW LEVEL) PRIMARY
 - RPC 004 PEDESTRIAN HEAD
 - TRAFFIC SIGNAL EQUIPMENT:**
 - POLE (STANDARD HEIGHT)
 - TALL POLE (CCTV/TRAFFIC SIGNALS)
 - SMALL POLE
 - POLE NUMBER
 - PUSH BUTTON UNIT
 - PAN / TILT / ZOOM CCTV CAMERA
 - GENERAL:**
 - SITE BOUNDARY LINE
 - TEMPORARY LAND ACQUISITION

Indicative Method of Control - Stream 1



Indicative Method of Control - Stream 2



C:\pwworking\jacobs_uk_highways_ss4\legintl_caslehd0147657\BCIDB-JAC-TSM_SJ-0007_XX_00-DR-TR-0016.dwg

Disclaimer
 a. © National Transport Authority (NTA) 2022. This drawing is confidential and the copyright in it is owned by NTA. This drawing must not be either loaned, copied or otherwise reproduced in whole or in part or used for any purpose without the prior permission of NTA.
 b. This drawing is to be used for the design element identified in the titlebox. Other information shown is to be considered indicative only. The drawing is to be read in conjunction with all other relevant design drawings.
 c. O.S. data used for plans are printed under © Ordnance Survey Ireland Government of Ireland. All rights reserved. Licence Number 2022/OSI_NMA_180 National Transport Authority. All elevations are in metres and relate to OSI Geoid Model (OSGM15) Mean Head. All Co-ordinates are in Irish Transverse Mercator Grid (ITM) as defined by OSI active local GPS station.
 d. Information concerning the position of apparatus shown on this drawing is based on drawings supplied by the utility owners and/or the utility works contractor, whilst every care has been taken in the preparation of this drawing, positions should be taken as approximate and are intended for general guidance only and no representation is made by the NTA as to the accuracy, completeness, sufficiency or otherwise of this drawing and the position of the apparatus. The information contained herein does not purport to be comprehensive or final as the apparatus is subject to being altered and/or superseded. Recipients should not rely on this information. Any liabilities are hereby expressly disclaimed.
 e. The information contained herein has been provided by the NTA but does not purport to be comprehensive or final. Recipients should not rely on the information. Neither the NTA nor any of its directors, officers, employees, agents, stakeholders or advisers make any representation or warranty as to, or accept any liability or responsibility in relation to, the adequacy, accuracy, reasonableness or completeness of the information provided as part of this document or any matter on which the information is based (including but not limited to loss or damage arising as a result of reliance by recipients on the information or any part of it). Any liabilities are hereby expressly disclaimed.



Rev	Date	Drn	Chk'd	App'd	Description
M01	07/06/2022	PT	KM	JB	ISSUE FOR PHASE 4: PLANNING

Client: **NTA** Údarás Náisiúnta Iompair National Transport Authority

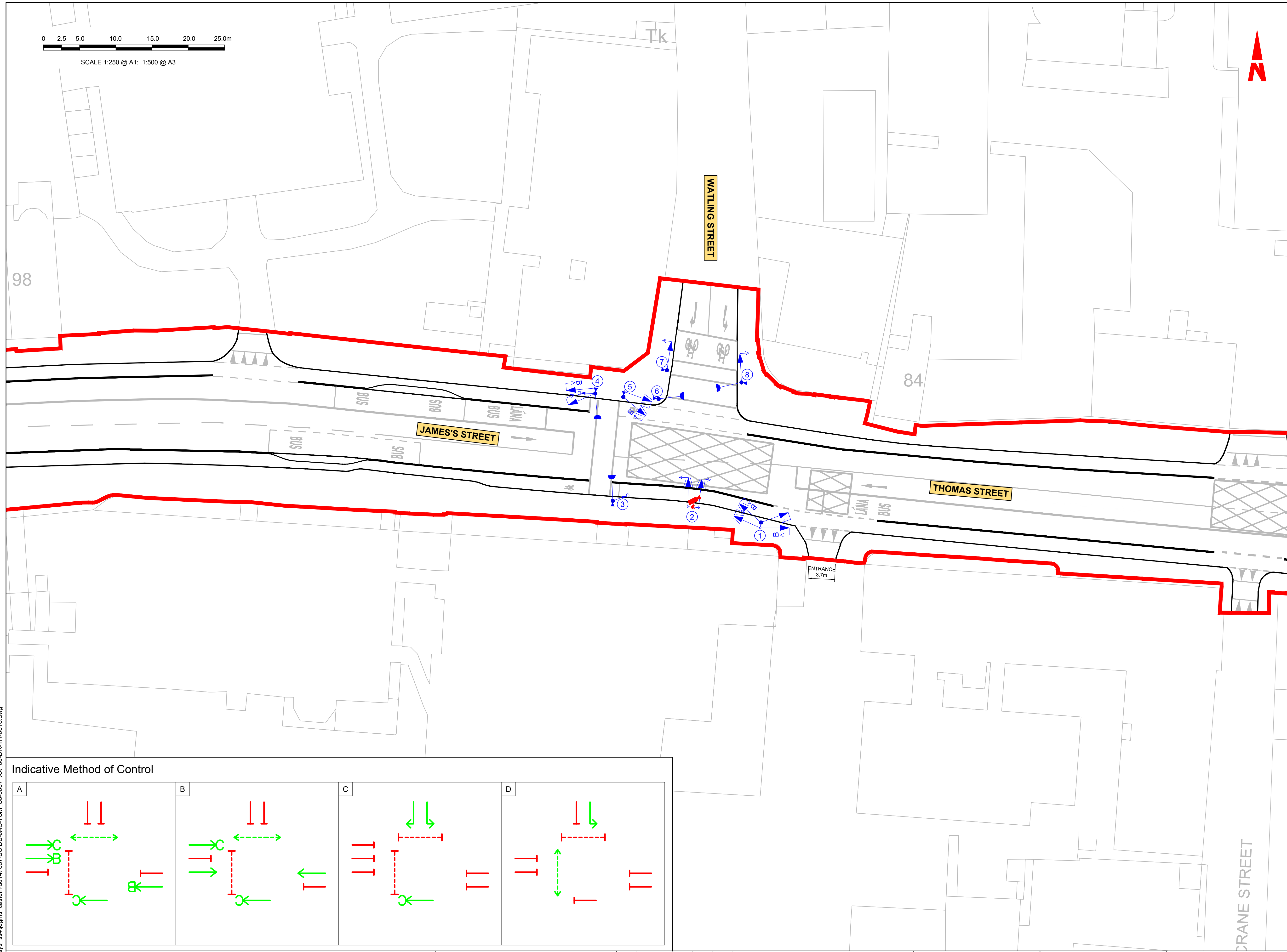
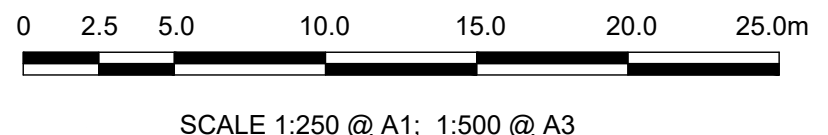
Engineering Designer: **Jacobs**

Date	Scale	Drawn	Checked	Approved
07/06/2022	1:250 @ A1 1:500 @ A3	PT	KM	JB

Project Code: BCIDB | Originator Code: JAC | QMS Code:

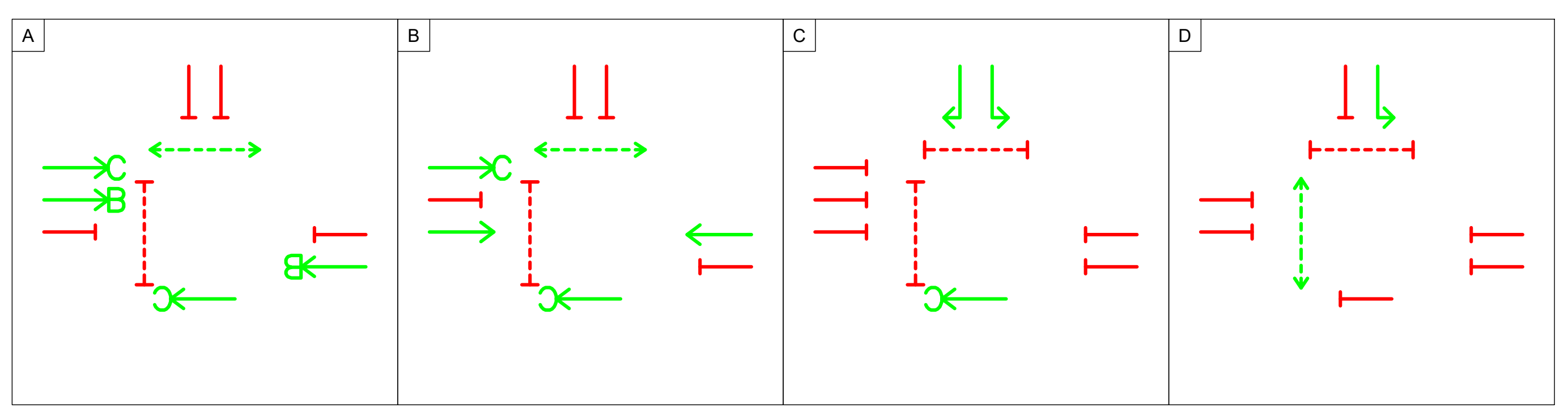
Programme Title: BUSCONNECTS DUBLIN CORE BUS CORRIDORS INFRASTRUCTURE WORKS			
Drawing Title: LIFFEY VALLEY TO CITY CENTRE CORE BUS CORRIDOR SCHEME JUNCTION SYSTEMS DESIGN JAMES STREET / BOW LANE WEST JUNCTION			
Drawing File Name: BCIDB-JAC-TSM_SJ-0007_XX_00-DR-TR-0022	Sheet Number: 22 of 27	Status: A	Rev: M01

DO NOT SCALE USE FIGURED DIMENSIONS ONLY



- LEGEND:**
- TRAFFIC SIGNAL HEADS:**
- RTS 002(A) PRIMARY
 - RTS 002(A) SECONDARY
 - RTS 002(B) PRIMARY
 - RTS 002(B) SECONDARY
 - RTS 002(C) PRIMARY
 - RTS 002(C) SECONDARY
 - RTS 002(E) PRIMARY
 - RTS 002(E) SECONDARY
 - RTS 007 (LOW LEVEL) PRIMARY
 - RPC 004 PEDESTRIAN HEAD
- TRAFFIC SIGNAL EQUIPMENT:**
- POLE (STANDARD HEIGHT)
 - TALL POLE (CCTV/TRAFFIC SIGNALS)
 - SMALL POLE
 - POLE NUMBER
 - PUSH BUTTON UNIT
 - PAN / TILT / ZOOM CCTV CAMERA
- GENERAL:**
- SITE BOUNDARY LINE
 - TEMPORARY LAND ACQUISITION

Indicative Method of Control



Disclaimer

a. © National Transport Authority (NTA) 2022. This drawing is confidential and the copyright in it is owned by NTA. This drawing must not be either loaned, copied or otherwise reproduced in whole or in part or used for any purpose without the prior permission of NTA.

b. This drawing is to be used for the design element identified in the titlebox. Other information shown is to be considered indicative only. The drawing is to be read in conjunction with all other relevant design drawings.

c. O.S. data used for plans are printed under © Ordnance Survey Ireland Government of Ireland. All rights reserved. Licence Number 2022/OSI_NMA_180 National Transport Authority. All elevations are in metres and relate to OSI Geoid Model (OSGM15) Mean Head. All Co-ordinates are in Irish Transverse Mercator Grid (ITM) as defined by OSI active local GPS station.

d. Information concerning the position of apparatus shown on this drawing is based on drawings supplied by the utility owners and/or the utility works contractor, whilst every care has been taken in the preparation of this drawing, positions should be taken as approximate and are intended for general guidance only and no representation is made by the NTA as to the accuracy, completeness, sufficiency or otherwise of this drawing and the position of the apparatus. The information contained herein does not purport to be comprehensive or final as the apparatus is subject to being altered and/or superceded. Recipients should not rely on this information. Any liabilities are hereby expressly disclaimed.

e. The information contained herein has been provided by the NTA but does not purport to be comprehensive or final. Recipients should not rely on the information. Neither the NTA nor any of its directors, officers, employees, agents, stakeholders or advisers make any representation or warranty as to, or accept any liability or responsibility in relation to, the adequacy, accuracy, reasonableness or completeness of the information provided as part of this document or any matter on which the information is based (including but not limited to loss or damage arising as a result of reliance by recipients on the information or any part of it). Any liabilities are hereby expressly disclaimed.

Rev	Date	Drn	Chk'd	App'd	Description
M01	07/06/2022	PT	KM	JB	ISSUE FOR PHASE 4: PLANNING

Client: **NTA**
Údarás Náisiúnta Iompair
National Transport Authority

Engineering Designer: **Jacobs**

Date: 07/06/2022 | Scale: 1:250 @ A1, 1:500 @ A3 | Drawn: PT | Checked: KM | Approved: JB

Project Code: BCIDB | Originator Code: JAC | QMS Code:

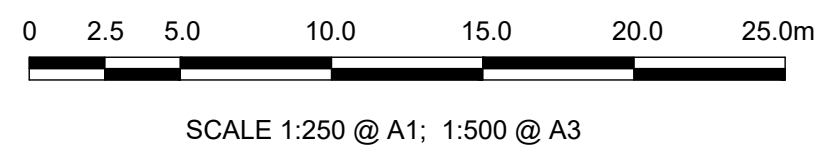
Programme Title: **BUSCONNECTS DUBLIN**
CORE BUS CORRIDORS INFRASTRUCTURE WORKS

Drawing Title: LIFFEY VALLEY TO CITY CENTRE CORE BUS CORRIDOR SCHEME
JUNCTION SYSTEMS DESIGN
JAMES STREET / THOMAS STREET / WATLING STREET JUNCTION

Drawing File Name: BCIDB-JAC-TSM_SJ-0007_XX_00-DR-TR-0023	Sheet Number: 23 of 27	Status: A	Rev: M01
---	------------------------	-----------	----------

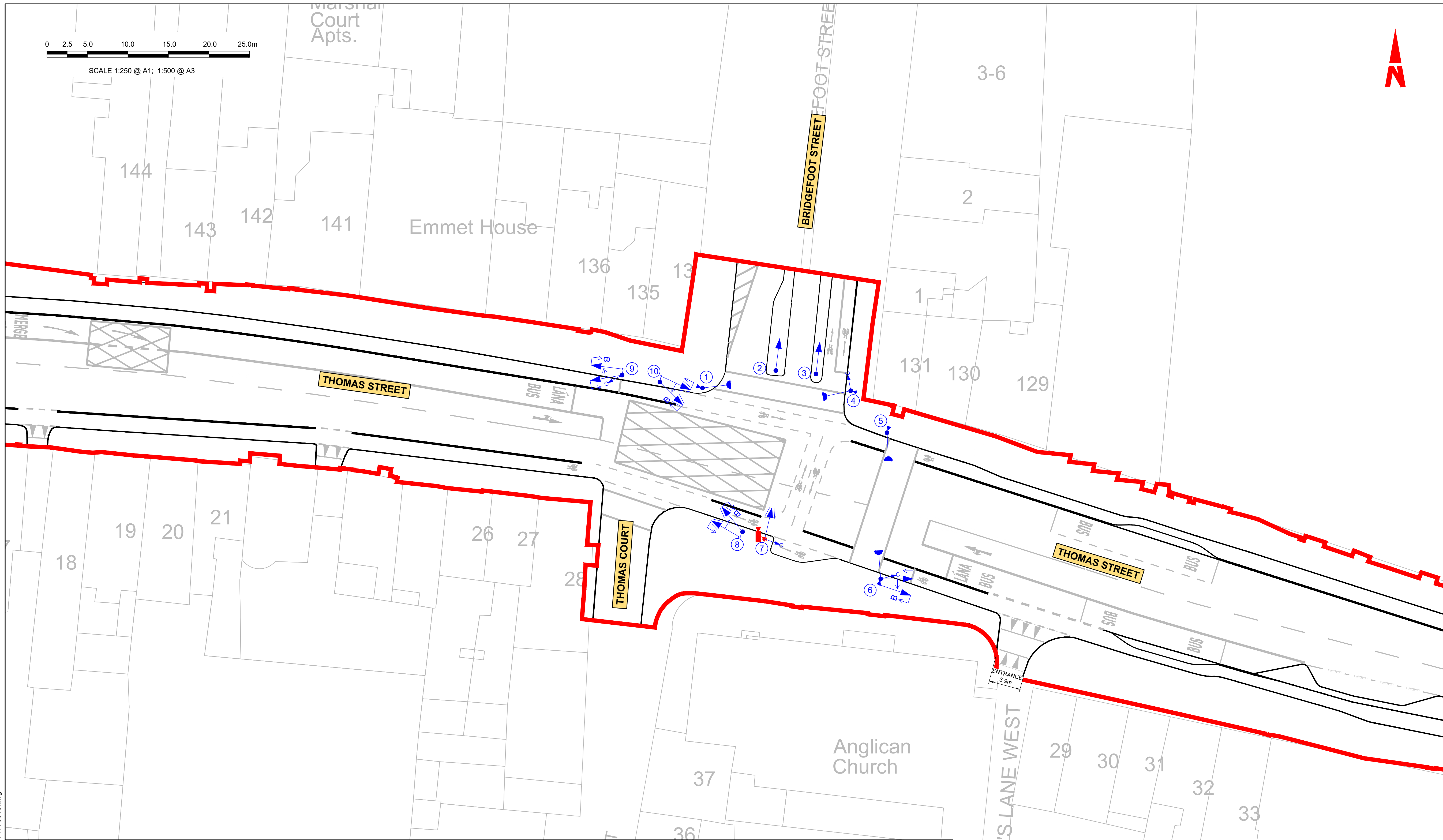
DO NOT SCALE USE FIGURED DIMENSIONS ONLY

C:\pwworking\jacobs_uk_highways_ss4\legintl_caslehd0147657\BCIDB-JAC-TSM_SJ-0007_XX_00-DR-TR-0016.dwg

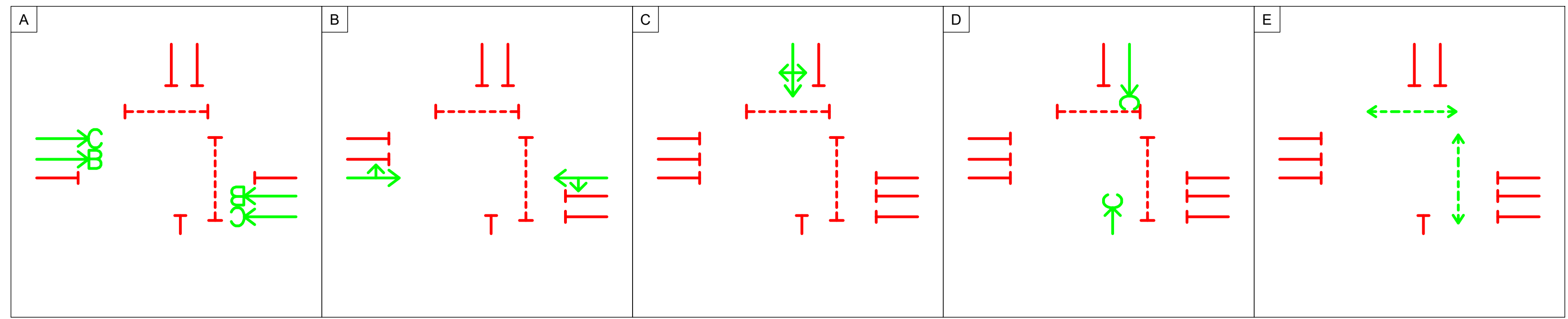


LEGEND:

- TRAFFIC SIGNAL HEADS:**
- RTS 001 PRIMARY
 - RTS 001 SECONDARY
 - RTS 002(E) PRIMARY
 - RTS 002(E) SECONDARY
 - RTS 003(H) PRIMARY
 - RTS 003(H) SECONDARY
 - RTS 007 (LOW LEVEL) PRIMARY
 - RPC 004 PEDESTRIAN HEAD
- TRAFFIC SIGNAL EQUIPMENT:**
- POLE (STANDARD HEIGHT)
 - TALL POLE (CCTV/TRAFFIC SIGNALS)
 - SMALL POLE
 - POLE NUMBER
 - PUSH BUTTON UNIT
 - PAN / TILT / ZOOM CCTV CAMERA
- GENERAL:**
- SITE BOUNDARY LINE
 - TEMPORARY LAND ACQUISITION



Indicative Method of Control



Disclaimer

a. © National Transport Authority (NTA) 2022. This drawing is confidential and the copyright in it is owned by NTA. This drawing must not be either loaned, copied or otherwise reproduced in whole or in part or used for any purpose without the prior permission of NTA.

b. This drawing is to be used for the design element identified in the titleblock. Other information shown is to be considered indicative only. The drawing is to be read in conjunction with all other relevant design drawings.

c. O.S. data used for plans are printed under © Ordnance Survey Ireland Government of Ireland. All rights reserved. Licence Number 2022/OSI_NMA_180 National Transport Authority. All elevations are in metres and relate to OSI Geoid Model (OSGM15) Mean Head. All Co-ordinates are in Irish Transverse Mercator Grid (ITM) as defined by OSI active local GPS station.

d. Information concerning the position of apparatus shown on this drawing is based on drawings supplied by the utility owners and/or the utility works contractor, whilst every care has been taken in the preparation of this drawing, positions should be taken as approximate and are intended for general guidance only and no representation is made by the NTA as to the accuracy, completeness, sufficiency or otherwise of this drawing and the position of the apparatus. The information contained herein does not purport to be comprehensive or final as the apparatus is subject to being altered and/or superseded. Recipients should not rely on this information. Any liabilities are hereby expressly disclaimed.

e. The information contained herein has been provided by the NTA but does not purport to be comprehensive or final. Recipients should not rely on the information. Neither the NTA nor any of its directors, officers, employees, agents, stakeholders or advisers make any representation or warranty as to, or accept any liability or responsibility in relation to, the adequacy, accuracy, reasonableness or completeness of the information provided as part of this document or any matter on which the information is based (including but not limited to loss or damage arising as a result of reliance by recipients on the information or any part of it). Any liabilities are hereby expressly disclaimed.



Rev	Date	Drn	Chk'd	App'd	Description
M01	07/06/2022	PT	KM	JB	ISSUE FOR PHASE 4: PLANNING

Client: **NTA** Údarás Náisiúnta Iompair National Transport Authority

Engineering Designer: **Jacobs**

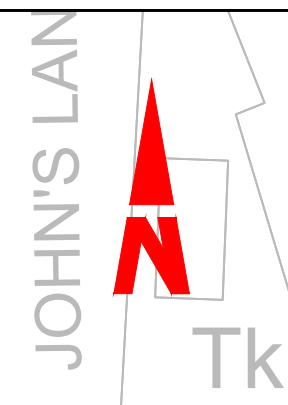
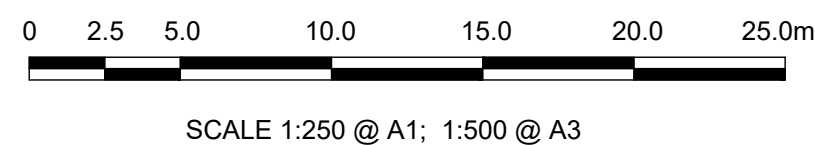
Date: 07/06/2022 Scale: 1:250 @ A1, 1:500 @ A3

Project Code: BCIDB Originator Code: JAC

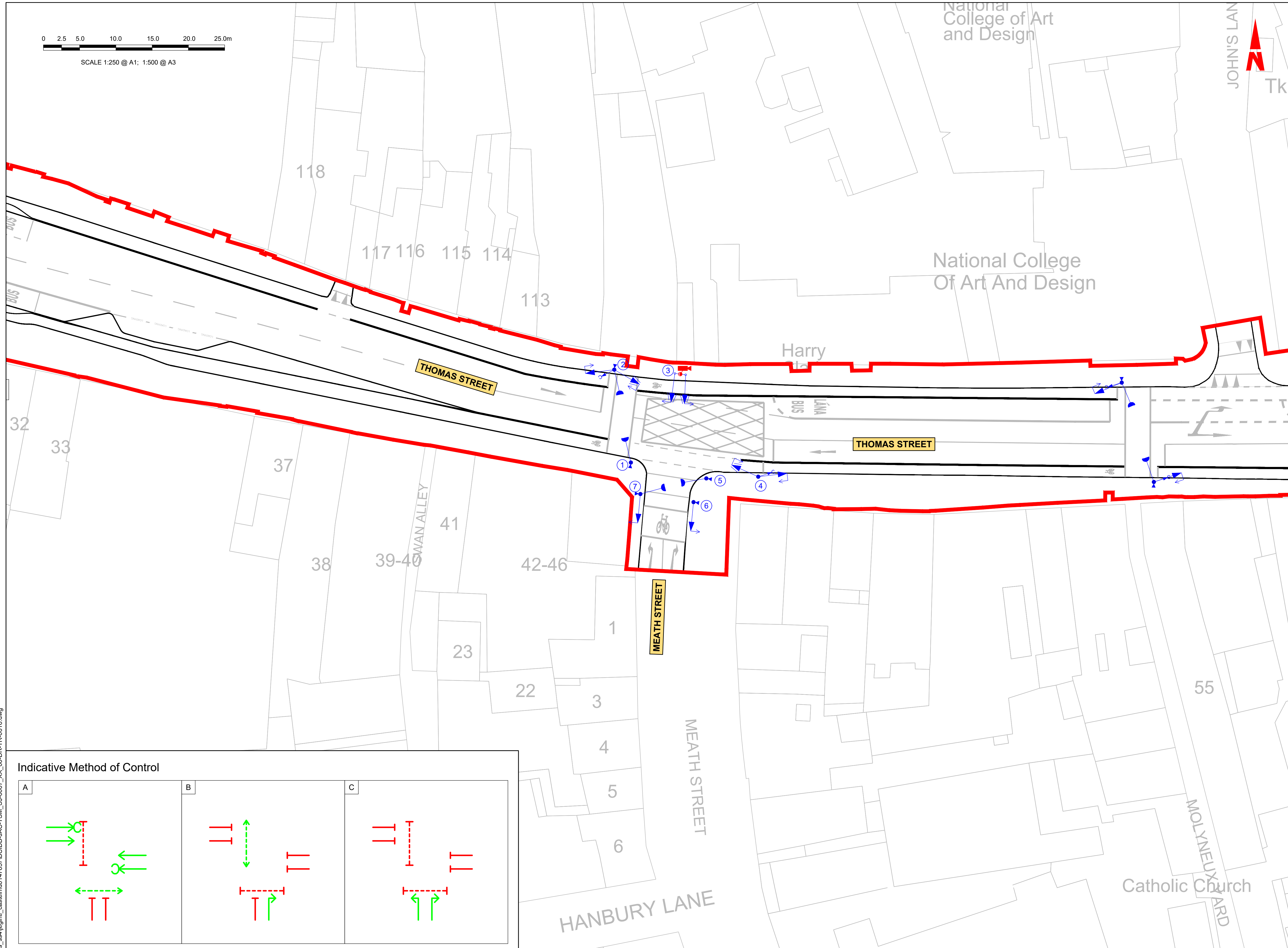
Drawn: PT Checked: KM Approved: JB

Programme Title: BUSCONNECTS DUBLIN CORE BUS CORRIDORS INFRASTRUCTURE WORKS			
Drawing Title: LIFFEY VALLEY TO CITY CENTRE CORE BUS CORRIDOR SCHEME JUNCTION SYSTEMS DESIGN THOMAS STREET / BRIDGEFOOT STREET / THOMAS COURT JUNCTION			
Drawing File Name: BCIDB-JAC-TSM_SJ-0007_XX_00-DR-TR-0024	Sheet Number: 24 of 27	Status: A	Rev: M01

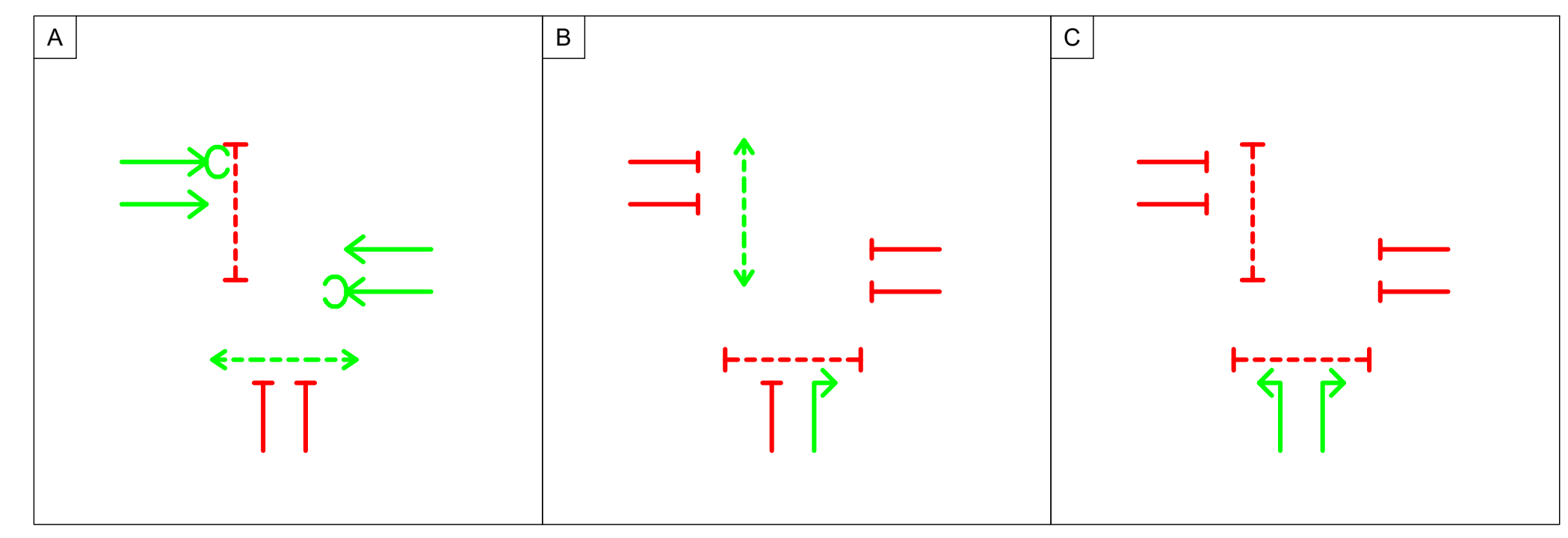
C:\pwworking\jacobs_uk_highways_ss4\legintl_caslehd0147657\BCIDB-JAC-TSM_SJ-0007_XX_00-DR-TR-0016.dwg



- LEGEND:**
- TRAFFIC SIGNAL HEADS:**
- RTS 002(A) PRIMARY
 - RTS 002(A) SECONDARY
 - RTS 002(B) PRIMARY
 - RTS 002(B) SECONDARY
 - RTS 002(C) PRIMARY
 - RTS 002(C) SECONDARY
 - RTS 007 (LOW LEVEL) PRIMARY
 - RPC 004 PEDESTRIAN HEAD
- TRAFFIC SIGNAL EQUIPMENT:**
- POLE (STANDARD HEIGHT)
 - TALL POLE (CCTV/TRAFFIC SIGNALS)
 - SMALL POLE
 - POLE NUMBER
 - PUSH BUTTON UNIT
 - PAN / TILT / ZOOM CCTV CAMERA
- GENERAL:**
- SITE BOUNDARY LINE
 - TEMPORARY LAND ACQUISITION



Indicative Method of Control



Disclaimer

a. © National Transport Authority (NTA) 2022. This drawing is confidential and the copyright in it is owned by NTA. This drawing must not be either loaned, copied or otherwise reproduced in whole or in part or used for any purpose without the prior permission of NTA.

b. This drawing is to be used for the design element identified in the titleblock. Other information shown is to be considered indicative only. The drawing is to be read in conjunction with all other relevant design drawings.

c. O.S. data used for plans are printed under © Ordnance Survey Ireland Government of Ireland. All rights reserved. Licence Number 2022/OSI_NMA_180 National Transport Authority. All elevations are in metres and relate to OSI Geoid Model (OSGM15) Mean Head. All Co-ordinates are in Irish Transverse Mercator Grid (ITM) as defined by OSI active local GPS station.

d. Information concerning the position of apparatus shown on this drawing is based on drawings supplied by the utility owners and/or the utility works contractor, whilst every care has been taken in the preparation of this drawing, positions should be taken as approximate and are intended for general guidance only and no representation is made by the NTA as to the accuracy, completeness, sufficiency or otherwise of this drawing and the position of the apparatus. The information contained herein does not purport to be comprehensive or final as the apparatus is subject to being altered and/or superceded. Recipients should not rely on this information. Any liabilities are hereby expressly disclaimed.

e. The information contained herein has been provided by the NTA but does not purport to be comprehensive or final. Recipients should not rely on the information. Neither the NTA nor any of its directors, officers, employees, agents, stakeholders or advisers make any representation or warranty as to, or accept any liability or responsibility in relation to, the adequacy, accuracy, reasonableness or completeness of the information provided as part of this document or any matter on which the information is based (including but not limited to loss or damage arising as a result of reliance by recipients on the information or any part of it). Any liabilities are hereby expressly disclaimed.

Rev	Date	Drn	Chk'd	App'd	Description
M01	07/06/2022	PT	KM	JB	ISSUE FOR PHASE 4: PLANNING

Client: **NTA**
Údarás Náisiúnta Iompair
National Transport Authority

Engineering Designer: **Jacobs**

Date	Scale	Drawn	Checked	Approved
07/06/2022	1:250 @ A1 1:500 @ A3	PT	KM	JB

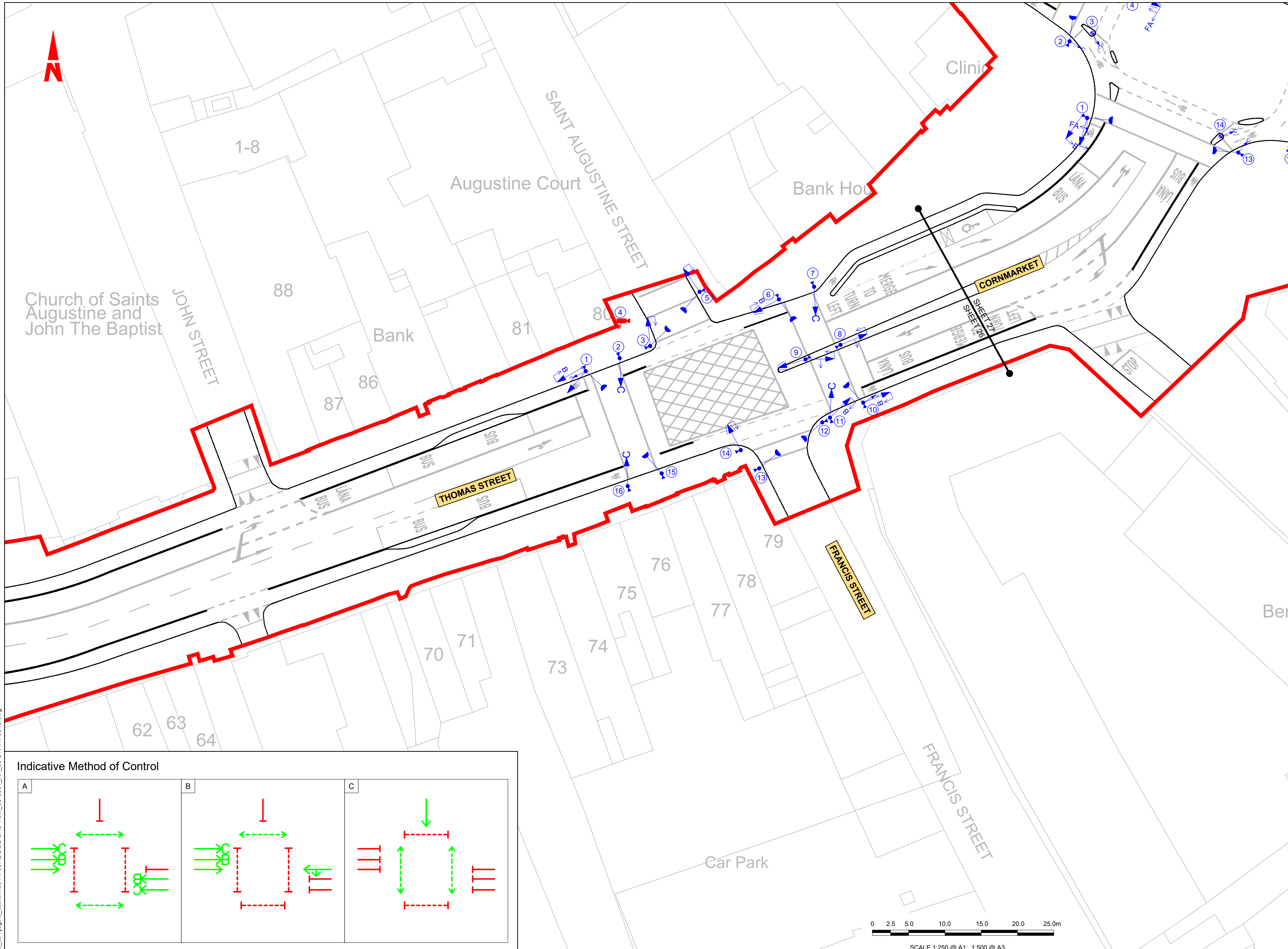
Project Code: BCIDB | Originator Code: JAC | QMS Code:

Programme Title: **BUSCONNECTS DUBLIN**
CORE BUS CORRIDORS INFRASTRUCTURE WORKS

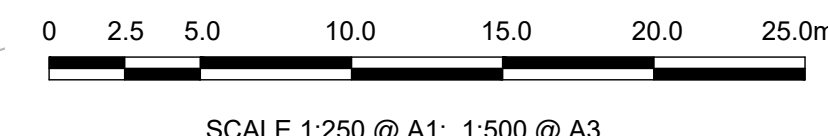
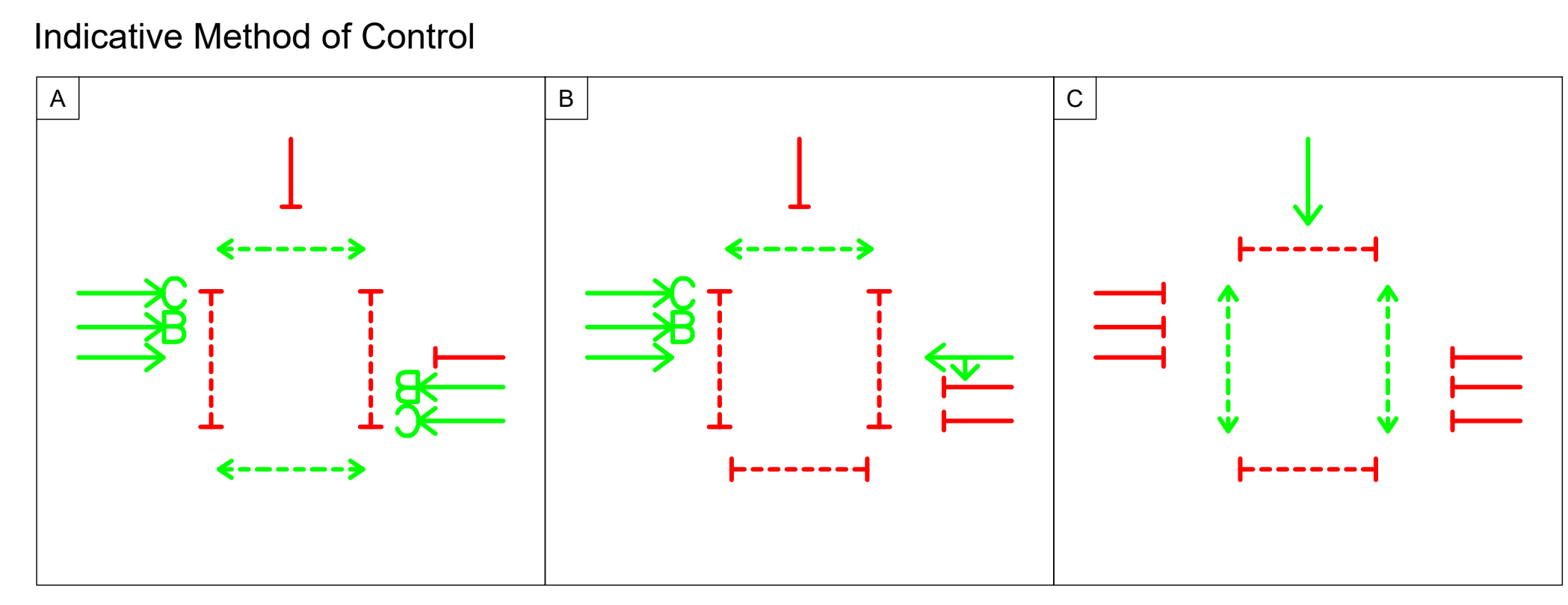
Drawing Title: LIFFEY VALLEY TO CITY CENTRE CORE BUS CORRIDOR SCHEME
JUNCTION SYSTEMS DESIGN
THOMAS STREET / MEATH STREET JUNCTION

Drawing File Name	Sheet Number	Status	Rev
BCIDB-JAC-TSM_SJ-0007_XX_00-DR-TR-0025	25 of 27	A	M01

C:\pwworking\jacobs_uk_highways_ss4\legintl_caslehd0147657\BCIDB-JAC-TSM_SJ-0007_XX_00-DR-TR-0016.dwg



- LEGEND:**
- TRAFFIC SIGNAL HEADS:**
- RTS 001 PRIMARY
 - RTS 001 SECONDARY
 - RTS 002(B) PRIMARY
 - RTS 002(B) SECONDARY
 - RTS 002(E) PRIMARY
 - RTS 002(E) SECONDARY
 - RTS 003(H) PRIMARY
 - RTS 003(H) SECONDARY
 - RTS 007 (LOW LEVEL) PRIMARY
 - RPC 004 PEDESTRIAN HEAD
- TRAFFIC SIGNAL EQUIPMENT:**
- POLE (STANDARD HEIGHT)
 - TALL POLE (CCTV/TRAFFIC SIGNALS)
 - SMALL POLE
 - POLE NUMBER
 - PUSH BUTTON UNIT
 - PAN / TILT / ZOOM CCTV CAMERA
- GENERAL:**
- SITE BOUNDARY LINE
 - TEMPORARY LAND ACQUISITION



Disclaimer

a. © National Transport Authority (NTA) 2022. This drawing is confidential and the copyright in it is owned by NTA. This drawing must not be either loaned, copied or otherwise reproduced in whole or in part or used for any purpose without the prior permission of NTA.

b. This drawing is to be used for the design element identified in the titlebox. Other information shown is to be considered indicative only. The drawing is to be read in conjunction with all other relevant design drawings.

c. O.S. data used for plans are printed under © Ordnance Survey Ireland Government of Ireland. All rights reserved. Licence Number 2022/OSI_NMA_180 National Transport Authority. All elevations are in metres and relate to OSI Geoid Model (OSGM15) Mean Head. All Co-ordinates are in Irish

Transverse Mercator Grid (ITM) as defined by OSI active local GPS station.

d. Information concerning the position of apparatus shown on this drawing is based on drawings supplied by the utility owners and/or the utility works contractor, whilst every care has been taken in the preparation of this drawing, positions should be taken as approximate and are intended for general guidance only and no representation is made by the NTA as to the accuracy, completeness, sufficiency or otherwise of this drawing and the position of the apparatus. The information contained herein does not purport to be comprehensive or final as the apparatus is subject to being altered and/or superceded. Recipients should not rely on this information. Any liabilities are hereby expressly disclaimed.

e. The information contained herein has been provided by the NTA but does not purport to be comprehensive or final. Recipients should not rely on the information. Neither the NTA nor any of its directors, officers, employees, agents, stakeholders or advisers make any representation or warranty as to, or accept any liability or responsibility in relation to, the adequacy, accuracy, reasonableness or completeness of the information provided as part of this document or any matter on which the information is based (including but not limited to loss or damage arising as a result of reliance by recipients on the information or any part of it). Any liabilities are hereby expressly disclaimed.



Rev	Date	Drn	Chk'd	App'd	Description
M01	07/06/2022	PT	KM	JB	ISSUE FOR PHASE 4: PLANNING

Client: **NTA**
Údarás Náisiúnta Iompair
National Transport Authority

Engineering Designer: **Jacobs**

Date: 07/06/2022 | Scale: 1:250 @ A1, 1:500 @ A3 | Drawn: PT | Checked: KM | Approved: JB

Project Code: BCIDB | Originator Code: JAC | QMS Code:

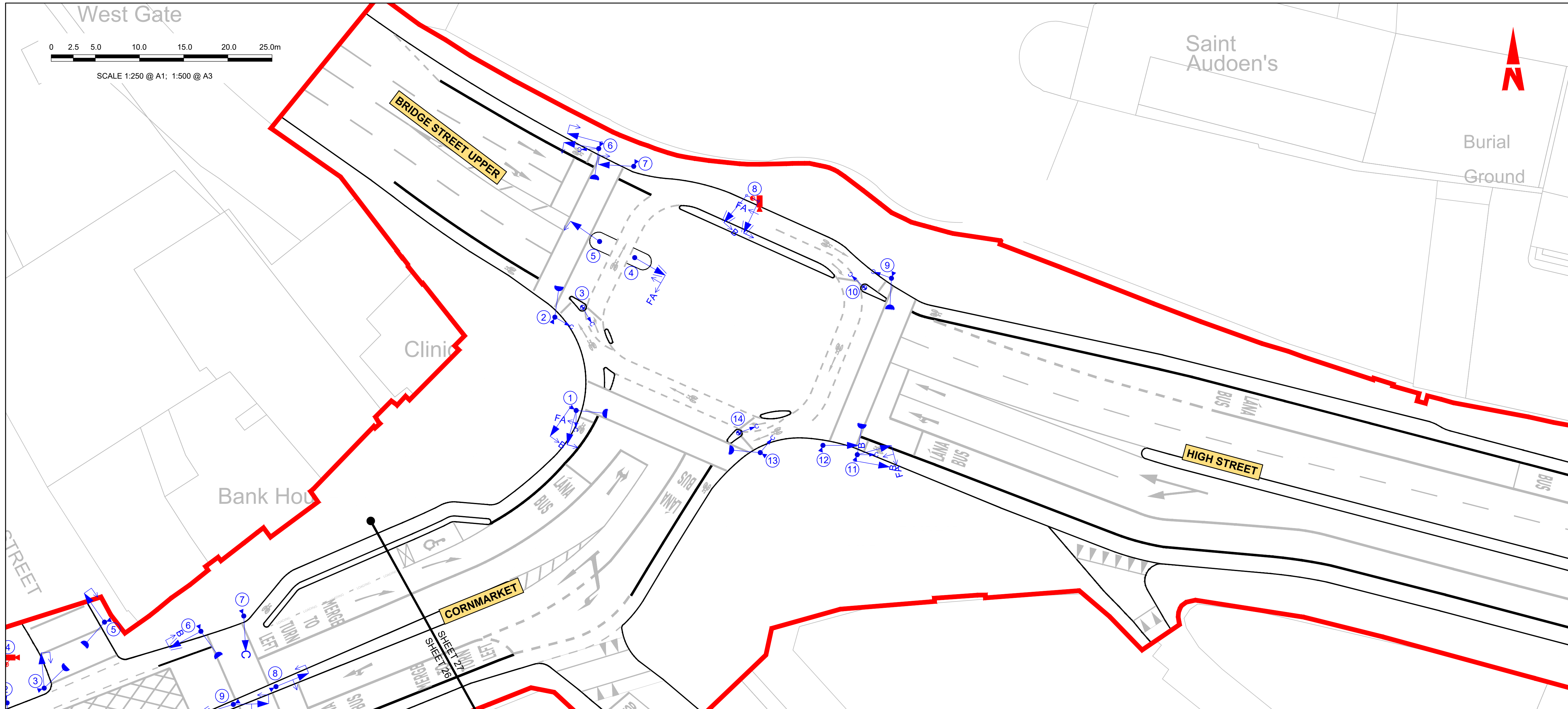
Programme Title: **BUSCONNECTS DUBLIN CORE BUS CORRIDORS INFRASTRUCTURE WORKS**

Drawing Title: LIFFEY VALLEY TO CITY CENTRE CORE BUS CORRIDOR SCHEME JUNCTION SYSTEMS DESIGN THOMAS ST. / CORNMARKET / ST AUGUSTINE ST. / FRANCIS ST. JUNCTION

Drawing File Name: BCIDB-JAC-TSM_SJ-0007_XX_00-DR-TR-0026	Sheet Number: 26 of 27	Status: A	Rev: M01
---	------------------------	-----------	----------

DO NOT SCALE USE FIGURED DIMENSIONS ONLY

C:\pwworking\jacobs_uk_highways_ss4\legintl_castlehd0147657\BCIDB-JAC-TSM_SJ-0007_XX_00-DR-TR-0016.dwg



LEGEND:

TRAFFIC SIGNAL HEADS:

- RTS 002(B) PRIMARY
- RTS 002(C) PRIMARY
- RTS 002(D) PRIMARY
- RTS 002(J) PRIMARY
- RTS 002(J) SECONDARY
- RTS 004(E) PRIMARY
- RTS 004(E) SECONDARY
- RTS 004(I) PRIMARY
- RTS 004(I) SECONDARY
- RTS 007 (LOW LEVEL) PRIMARY
- RPC 004 PEDESTRIAN HEAD

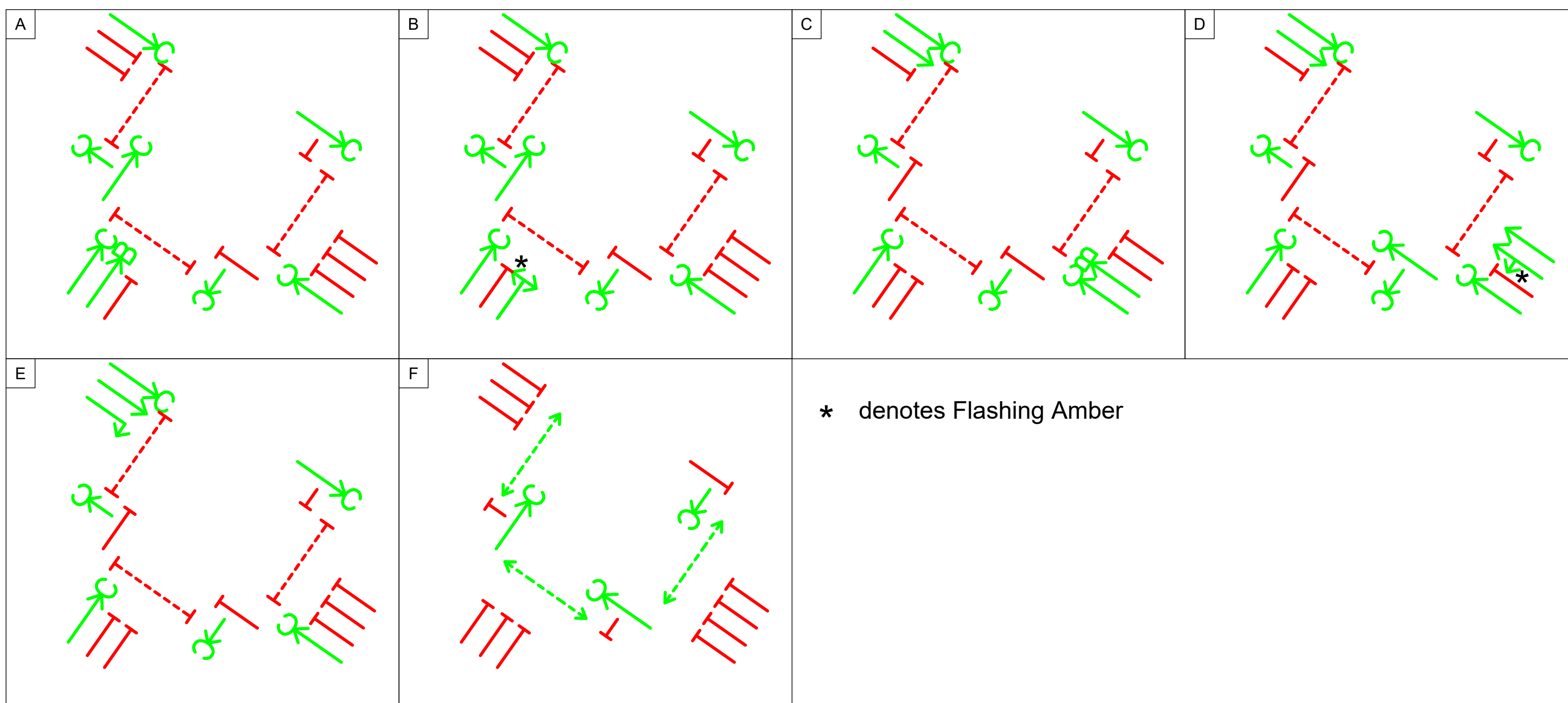
TRAFFIC SIGNAL EQUIPMENT:

- POLE (STANDARD HEIGHT)
- TALL POLE (CCTV/TRAFFIC SIGNALS)
- SMALL POLE
- POLE NUMBER
- PUSH BUTTON UNIT
- PAN / TILT / ZOOM CCTV CAMERA

GENERAL:

- SITE BOUNDARY LINE
- TEMPORARY LAND ACQUISITION

Indicative Method of Control



Disclaimer

a. © National Transport Authority (NTA) 2022. This drawing is confidential and the copyright in it is owned by NTA. This drawing must not be either loaned, copied or otherwise reproduced in whole or in part or used for any purpose without the prior permission of NTA.

b. This drawing is to be used for the design element identified in the titleblock. Other information shown is to be considered indicative only. The drawing is to be read in conjunction with all other relevant design drawings.

c. O.S. data used for plans are printed under © Ordnance Survey Ireland Government of Ireland. All rights reserved. Licence Number 2022/OSI_NMA_180 National Transport Authority. All elevations are in metres and relate to OSI Geoid Model (OSGM15) Mean Head. All Co-ordinates are in Irish Transverse Mercator Grid (ITM) as defined by OSI active local GPS station.

d. Information concerning the position of apparatus shown on this drawing is based on drawings supplied by the utility owners and/or the utility works contractor, whilst every care has been taken in the preparation of this drawing, positions should be taken as approximate and are intended for general guidance only and no representation is made by the NTA as to the accuracy, completeness, sufficiency or otherwise of this drawing and the position of the apparatus. The information contained herein does not purport to be comprehensive or final as the apparatus is subject to being altered and/or superceded. Recipients should not rely on this information. Any liabilities are hereby expressly disclaimed.

e. The information contained herein has been provided by the NTA but does not purport to be comprehensive or final. Recipients should not rely on the information. Neither the NTA nor any of its directors, officers, employees, agents, stakeholders or advisers make any representation or warranty as to, or accept any liability or responsibility in relation to, the adequacy, accuracy, reasonableness or completeness of the information provided as part of this document or any matter on which the information is based (including but not limited to loss or damage arising as a result of reliance by recipients on the information or any part of it). Any liabilities are hereby expressly disclaimed.

Rev	Date	Drn	Chk'd	App'd	Description
M01	07/06/2022	PT	KM	JB	ISSUE FOR PHASE 4: PLANNING

Client: **NTA**
Údarás Náisiúnta Iompair
National Transport Authority

Engineering Designer: **Jacobs**

Date: 07/06/2022 Scale: 1:250 @ A1, 1:500 @ A3
Drawn: PT, Checked: KM, Approved: JB

Project Code: BCIDB, Originator Code: JAC, QMS Code:

Programme Title: **BUSCONNECTS DUBLIN CORE BUS CORRIDORS INFRASTRUCTURE WORKS**

Drawing Title: LIFFEY VALLEY TO CITY CENTRE CORE BUS CORRIDOR SCHEME JUNCTION SYSTEMS DESIGN CORNMARKE / HIGH STREET / BRIDGE STREET UPPER JUNCTION

Drawing File Name: BCIDB-JAC-TSM_SJ-0007_XX_00-DR-TR-0027	Sheet Number: 27 of 27	Status: A	Rev: M01
---	------------------------	-----------	----------

C:\pwworking\jacobs_uk_highways_ssa\legintl_castlehd0147657\BCIDB-JAC-TSM_SJ-0007_XX_00-DR-TR-0016.dwg